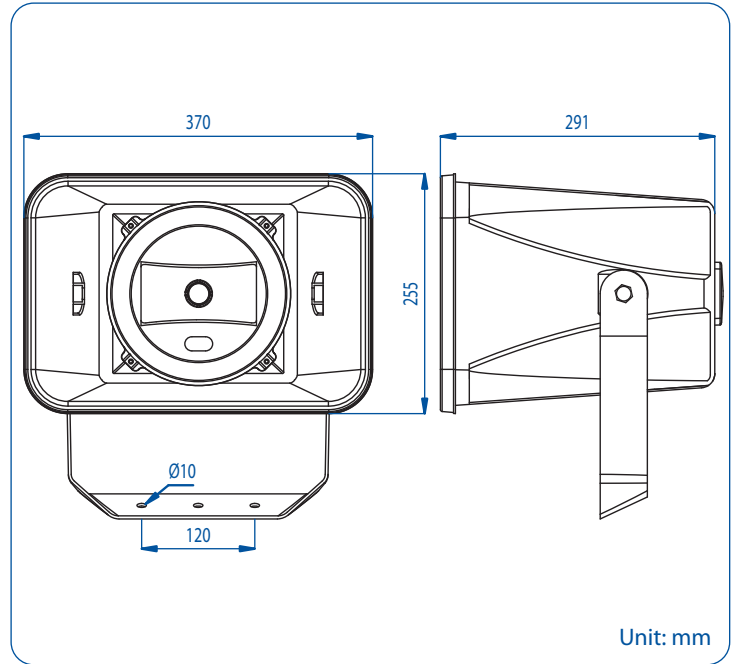




MUH-6 Series Music Horn Loudspeaker



Unit: mm

- 100 Hours Life Tested
- CE Certified (EMC & LVD)
- IP Rated
- Rustproof
- UL94V0
- BS 5839 Part 8
- EASE Data
- RoHS Compliance
- UV Protected
- Withstanding/Insulation Tested

Engineered to provide the highest quality voice and music reproduction for both indoor and outdoor applications where long throw, large area coverage is desired in harsh environments. Ideal for applications such as sports stadiums, cruise liners, school yards, municipal swimming pools, high ambient industrial areas and leisure / theme parks.

- ▶ Available in 30 watt and 60 watt.
- ▶ Two-way capabilities for security / monitoring applications.
- ▶ Water protected to IEC529 IP66.
- ▶ UV protected for years of outdoor use.
- ▶ Manufactured in ABS & Polypropylene with glass fibre.
- ▶ Trunion extruded aluminium bracket with stainless mounting screws.

Model No.	MUH-6300	MUH-6600
Rated Power (rms)	30W	60W
Impedance	167Ω, 333Ω, 667Ω, 1.33kΩ & 2.67kΩ	83Ω, 167Ω, 333Ω, 667Ω & 1.33kΩ
Power Taps @ 100V	30W, 15W, 7.5W & 3.75W	60W, 30W, 15W & 7.5W
Power Taps @ 70V	30W, 15W, 7.5W, 3.75W & 1.9W	60W, 30W, 15W, 7.5W & 3.75W
SPL (1W / 1M)	98 dB	98 dB
Max. SPL (Rated W / 1M)	113 dB	115 dB
Frequency Range (-10dB)	100 Hz ~11K Hz	110 Hz ~11K Hz
Frequency Range (-20dB)	80 Hz ~ 20K Hz	90 Hz ~ 20K Hz
Dispersion 1K Hz / 4K Hz	85° / 45°	70° / 45°
Ambient Temperature	-30°C ~ +60°C	
Water Protection	IEC529 IP66	
Power Selection	Terminal Block	
Material	Housing: High impact ABS with UV protection, Center: Polypropylene with glass fibre	
Colour / Finish	Light Grey (RAL 7035)	
UV Protection	Available	
Dimensions	370 (14.57) X 255 (10.04) x 291 (11.46) Length mm (in.)	
Net Weight (ea)	4.6 Kgs (10.14 lbs)	5.42 Kgs (11.92 lbs)
Mounting	U Type Aluminium Bracket	