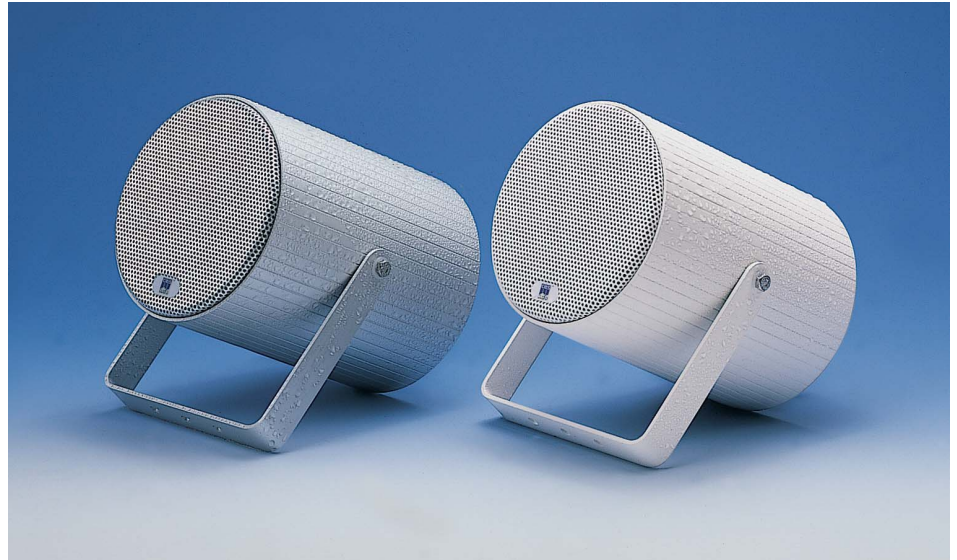




Metallic Sound Projector MSP-5 Series

The MSP-5 series has been designed to offer directional and efficient projection characteristics. This coupled with a full range twin cone 5" driver unit, makes the MSP-5 series a wide bandwidth alternative to horn loudspeakers, suitable for both music and speech applications. All units are constructed from rugged, extruded aluminium and are IP rated to IP66, making them ideal for installations such as factories, food processing plants and school yards etc.

*The optional MSP-5200VA & WVA has also been designed to comply with voice alarm standards (including BS5839 part 8) which requires that in the event of a fire, the integrity of the entire loudspeaker circuit must not be compromised by one or more loudspeakers failing due to damage by localized heat/flames. That is why the MSP-5200VA & WVA is fitted with ceramic termination blocks that are capable of withstanding temperatures in excess of 650°C. Internal fire-resistant cable and a 150°C thermal fuse to isolate the individual loudspeaker from the



MSP-5 Series

circuit in the event of a localized fire.

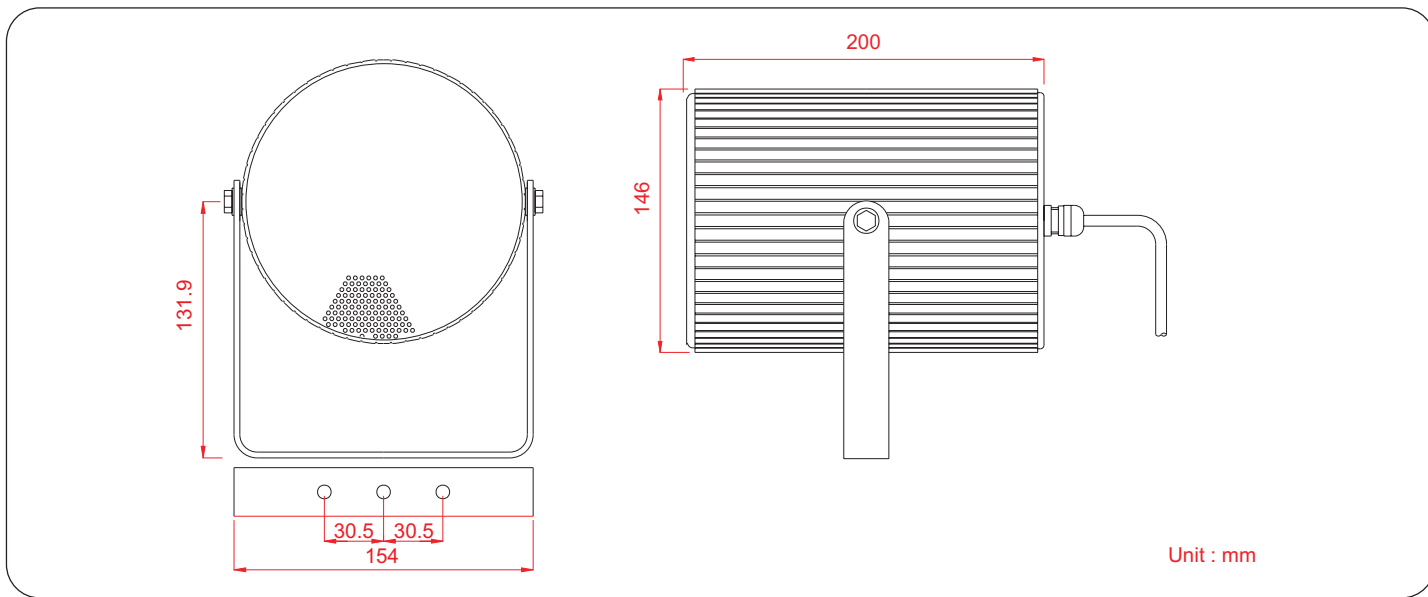
For your peace of mind and accurate system design, sample CES Audio products are extensively tested in our Anechoic Test Chamber, Withstanding/Insulation Tester and Programmable Temperature &

Humidity Chamber to ensure accurate specification, safety and reliability.

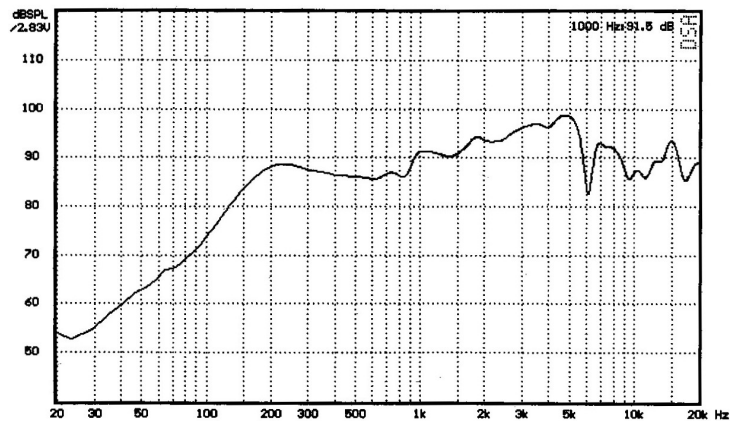
All CES Audio loudspeakers are designed to withstand operating at their rated power for 100 hours in accordance with IEC 268-5 Power Handling Capacity standards.

- ▶ **Designed to give controlled directional sound characteristics.**
- ▶ **20 watt 100 & 70.7 volt line. Tappings via 6 core cable.**
- ▶ **8Ω option available.**
- ▶ **IP rated to IEC529 IP66 TERTEC Certificate No. IP 92137.**
- ▶ **Wide bandwidth alternative to horn speakers - ideal for music and speech applications.**
- ▶ **Rugged extruded aluminium housing.**
- ▶ **Can be ceiling or wall mounted.**
- ▶ **Available in Silver Anodized or White Epoxy (RAL 9003).**
- ▶ **Optional MSP-5200VA/MSP-5200WVA variant --- Voice Alarm Compliant to BS5839 Part 8.**

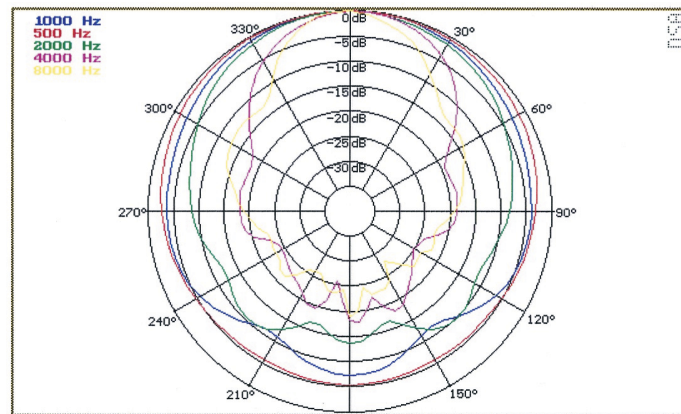
Model No.	MSP-5208	MSP-5208W	MSP-5200	MSP-5200W
Rated Power (rms)	20W			
Impedance	8Ω		250Ω, 500Ω, 1KΩ, 2KΩ & 4KΩ	
Power Taps @ 100V	n.a.		20W, 10W, 5W & 2.5W	
Power Taps @ 70.7V	n.a.		20W, 10W, 5W, 2.5W & 1.25W	
SPL (1W/1m)	91dB			
Max. SPL (20W/1m)	104dB			
Frequency Range (-10dB)	150 Hz ~ 20K Hz			
Dispersion 1K Hz/4K Hz	230° / 65°			
Ambient Temperature	-35°C ~ 70°C			
Water Protection	IEC529 IP66			
Power Selection Way	n.a.		6-core cable	
Material	Housing: Extruded Aluminium, Grille: Aluminium.			
Colour/Finish	Silver Anodized	White Epoxy (RAL 9003)	Silver Anodized	White Epoxy (RAL 9003)
Dimensions	146 (5.75) Dia. X 200 (7.87) L mm. (in.)			
Net Weight (ea)	2.1 Kgs (4.63 lbs.)		2.5 Kgs (5.51 lbs.)	
Shipping Weight (8 pcs)	20 Kgs (44 lbs.)		23 Kgs (51 lbs.)	
Shipping Meas't (8 pcs)	2.5 cuft			
Mounting	U type Aluminium Bracket			



Frequency Response



Polar Plot



MSP-5 SERIES

Public Address Loudspeakers