

OPTIONAL ACCESSORIES

PLS-5219GDSK

Ground disk to buss together the six ground contacts (solder connectors only)



PLS-5219 CBGD/PG29

Strain Relief directly coupling into thread housing



PLS-5219CPM Crimp Male Contact

PLS-5219CPFE Crimp Female Earth Contact

PLS-5219CPF Crimp Female Contact



M2250/1-01 Crimp Tool



SOLDER TYPE



WPC-5219LM + FPG-42

IP67

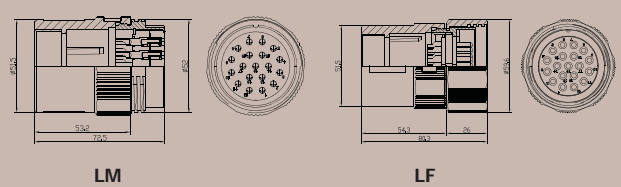
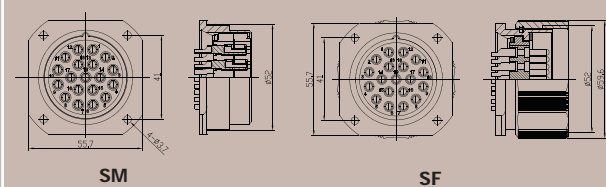
WPC-5219LF + FPG-42

- Compatible with Socapex "419", Veam "VSC" connector and Kupo's PLS & WPS connector
- Body is finished in mono piece and made of rigid die-cast aluminium alloy, offering alternative choice for weather-oriented applications
- Hard gold plated contact in solder type; extended female earth contacts features "first mate, last break" for operation safety
- Watertight (IP67) is achieved with a cable gland (FPG-42) affixed to the cable entry point

WPC-5219SF



WPC-5219SM





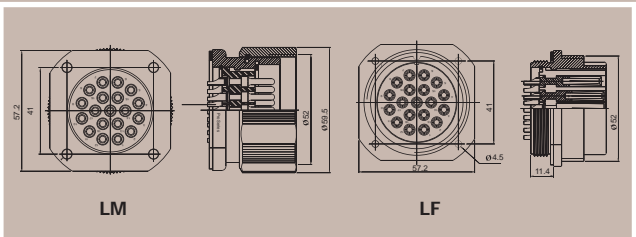
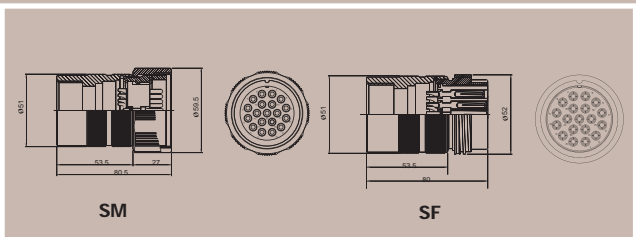
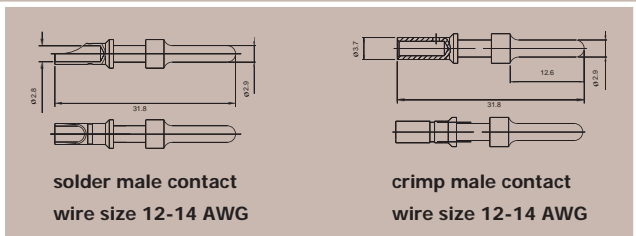
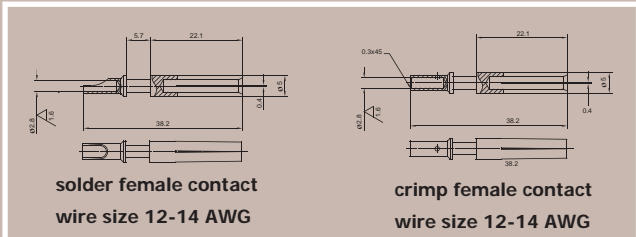
SOLDER TYPE



IP67

- Compatible with Socapex "419", Veam "VSC" and Kupo "PLS" connector family
- Machined aluminum shells with a heavy ribbed coupling ring to provide easy manual coupling and uncoupling
- Hard gold plated contacts in solder & crimp version
- Available crimp & solder type extended female ground contacts allow make first and break last operation
- Inline plug threads are Teflon coated to make coupling and uncoupling smoother. Back shell with hard anodized finish to avoid scratching on surface
- Accessories FPG42 cable gland with 3 sizes of rubber sleeve provide a waterproof seal at the cable entry point
- Only one size back shell to adapt
 - (1) CG-35 Cable Gland
 - (2) With adapter for metal military style cross bar clamp

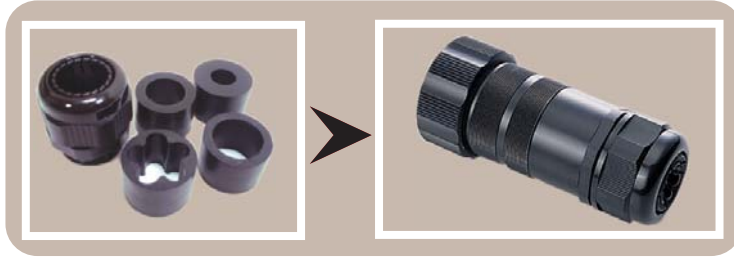
CRIMP TYPE



OPTIONAL ACCESSORIES

CG-35

Cable Gland optional with \varnothing 17, 23, 28.9mm and break-out) changeable rubber sleeve

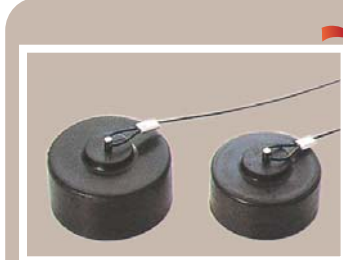


Rubber Bushing

\varnothing 17.1mm: feasible for 18/1.5mm² cable, or cable's OD up to 17.10mm

\varnothing 23.00mm: feasible for 18/2.5mm² cable, or cable's OD up to 23.00mm

\varnothing 28.9mm: feasible for cable's OD up to 28.90mm



DC-M

Rubber dust cover with wire for line male connector

DC-F

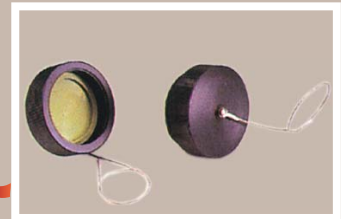
Rubber dust cover with wire for line female connector

MC-M

Metal dust cover with wire for line male connector

MC-F

Metal dust cover with wire for line female connector



19 PIN CONNECTOR CABLE TESTER

Just plug both cable assembly end into male & female tester and check all 6-circuit plus grounds in a minute.

PLS-5219CBTR-F cable tester female

PLS-5219CBTR-M cable tester male

Green light on shows correct, and Red light on shows short-circuits. It is portable, lightweight, battery operated, and 2 color LED.

PLS-5219IDTR-F ID cable tester female

PLS-5219IDTR-M ID cable tester male

There are six LEDs on the female connector. The specific LED will be on if miss -wiring. Selectable channel switch on end top allows to identify each channel by channel wiring status.



MULTIPOLE LIGHTING BAR TESTER

Equipped with 8pcs green LED for checking if the wiring on lighting bar is correct or not. Specified for 16 contacts multipin light bar. Battery drive (DC/9V) and easy to carry.

KM-16PBTR-F

- 1) Green LED: wiring is correct
- 2) No light in any given channel: broken circuit, or no contact
- 3) All Red Light: Earth contact in any given channel.

19 PIN CONNECTOR OPTIONAL ACCESSORY

WPC-5219ST 19 PIN TOOL

The practical tool designed for save the pain of unscrewed-backshell while mating or unmating monopiece connectors.

- A) Fit to major brand 19 pin monopiece connector.
- B) To avoid accidental unscrew of the backshell while coupling or uncoupling.



Coupling with female inline connector



Infix rubber ring protects inline female connector



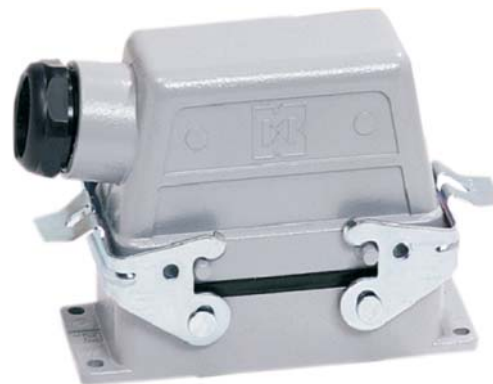
Coupling with male inline connector



Definite indication for operation.

MULTIPOLE CONNECTOR

- Number of Contacts: 10, 16 (contact us for more info. of other contacts)
- Rated Voltage: 400V-600V, according to UL, CSA
- Die Electric: 3KV/ 1Min.
- Volume Resistance: 1M/ Ohm
- Temperature Range: -40~ +125 degree C
- Protection Category: KM 06-KM48, IP65 when mated
- Cross Section: 0.5-2.5mm²sq
- Terminal Screws: steel M3 nickel plated
- Protective Cover: KM06-KM24 Nylon 66. V-0; KM32-KM48 Aluminum
- Die-Casting Alloy
- Plug and Socket Insert: glass-fiber reinforced polycarbonate V-0
- Contact Elements: copper alloy
- Contact Surfaces: hard-silver plated
- Earth Connector Part: brass nickel plated
- Locking Levers: steel zinc plated
- Pressing Lock-Nut: nylon 66. V-0
- Gaskets: Neoprene (resistant to oil and aging)
- Hood and Housing: aluminum die-casting alloy



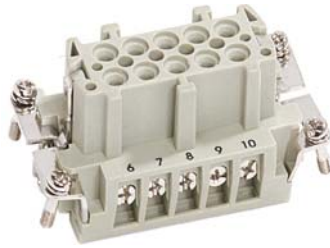
KM10M Plug Insert



KM16M Plug Insert



KM10F Socket Insert



KM16F Socket Insert



KM10H1 (PG16) Hood
KM16H1 (PG21) Hood



KM10H5 (PG16) Hood
KM16H5 (PG21) Hood



KM10U5 (PG16) Hood
KM16U5 (PG21) Hood



KM10U1 (PG16) Hood
KM16U1 (PG21) Hood



KM10/16B1 Housing



KM10/16BC5



KM10B2 (PG16) Housing Closed
Bottom
KM16B2 (PG21) Housing Closed
Bottom



PBA21-1 (PG21) Metal Cable
Gland (optional accessory)



KC 7PIN CM CONNECTOR



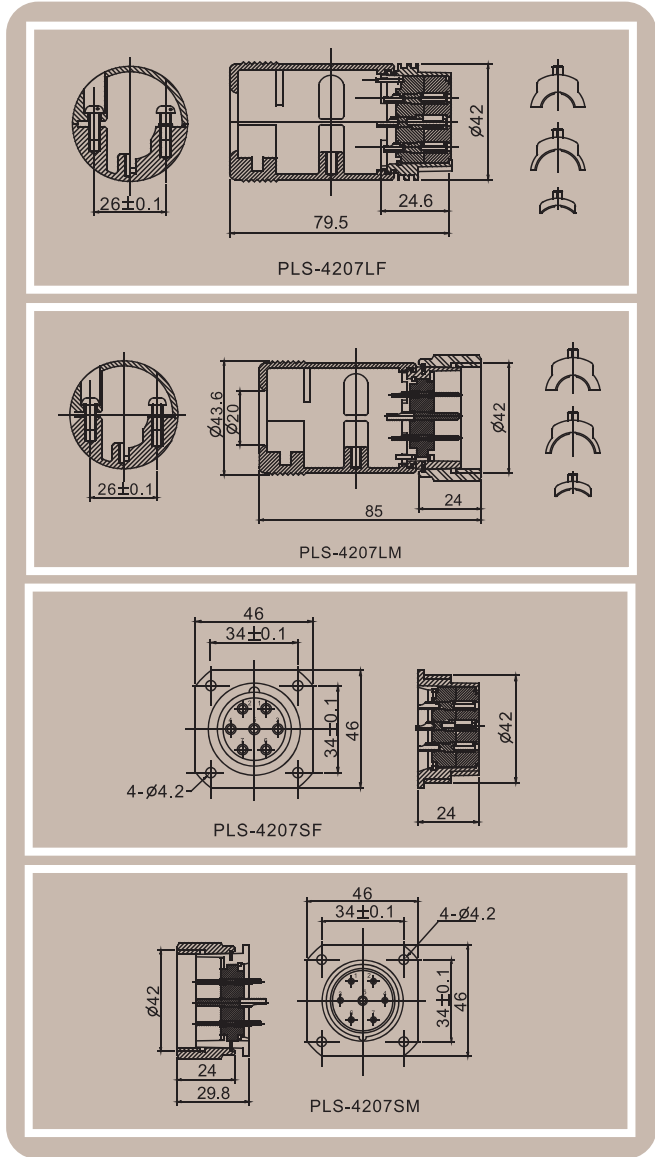
KUPO PLS-4207 series of connectors are designed for professional controller to Motor Hoist application. To make a safe, durable, compact and quick setup rigging. Rugged die cast aluminum alloy shells, with black non-conductive finish. Hard gold plated contacts in soldering version and fully compatible with Socapex SL37Y family. The standard line connectors feature integral compression type strain relief, available in three different sizes.

Advantage of using KC 7pin CM connectors for motor hoist control:

- Using PLS-4207SF panel mount female connectors output will save the controller space
- The cable connection will be easier, faster and safer
- The motor hoist uses 3 poles for power, 1 pole for earth and 3 poles for low voltage control
- The motor hoist just has a 7pin male connectors and using the other input as pickle input
- While using KC 7pin CM connectors will make the extend cable much easier and safer



PINOUT:
 1 = L1
 2 = L2
 3 = L3
 4 = GROUND
 5 = MTR UP
 6 = MTR COMMON
 7 = MTR DOWN



Operating Temperature -40 + 85°C
 Touch Tension 2kgs
 Pressure 1800 VAC/Min
 Terminal Wear 5000 + Connections

NO.	ELECTRICAL CHARACTERISTICS	
1	Rated Current/voltage	6x25A+1x50A 250V
2	Operation limit voltage (AC.V.rms)	250
3	Withstanding voltage (AC.V.rms) 1 minute	2000
4	Insulation resistance(MΩ MIN.) at DC 500V	2000
5	Contact resistance (mΩ MAX.) at DC 1A	3
6	Number of Contacts : 7 conntacts	6x16AWG+1x12AWG

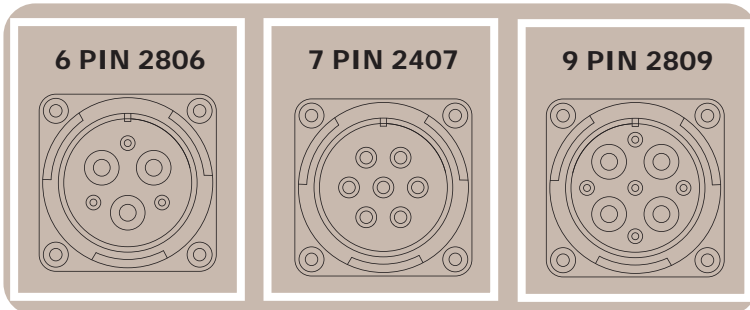
PROFESSIONAL HB CONNECTOR

The KUPO HB connectors' range is designed to meet the needs of head to ballast connections. HB series covers the range of power from 575W to 18KW used by Arri.

Features:

- Compatible with Veam CIR connectors
- Machined aluminum bodies with ribbed coupling ring to provide easy manual coupling and uncoupling
- Back-shell with scratch-resistant and black anodized
- Back-shell and cable clamps to fit different cable O.D.
- Waterproof to IP67
- The grip rubber on locking ring

Contacts Configuration & Key Position Arrangement



We keep all the above models in stock for inline male and female assembly. WPC-2407 series is available in different key position arrangement for various lighting fixtures; WPC-2806 & WPC-2809 series are only for 6K-18K Arri lights.



WPC-2407LM

WPC-2407LF



Cross Reference for Various Brands

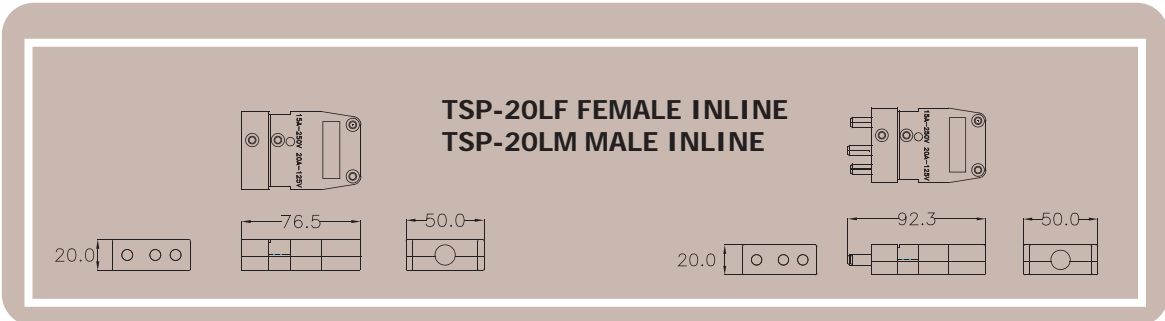
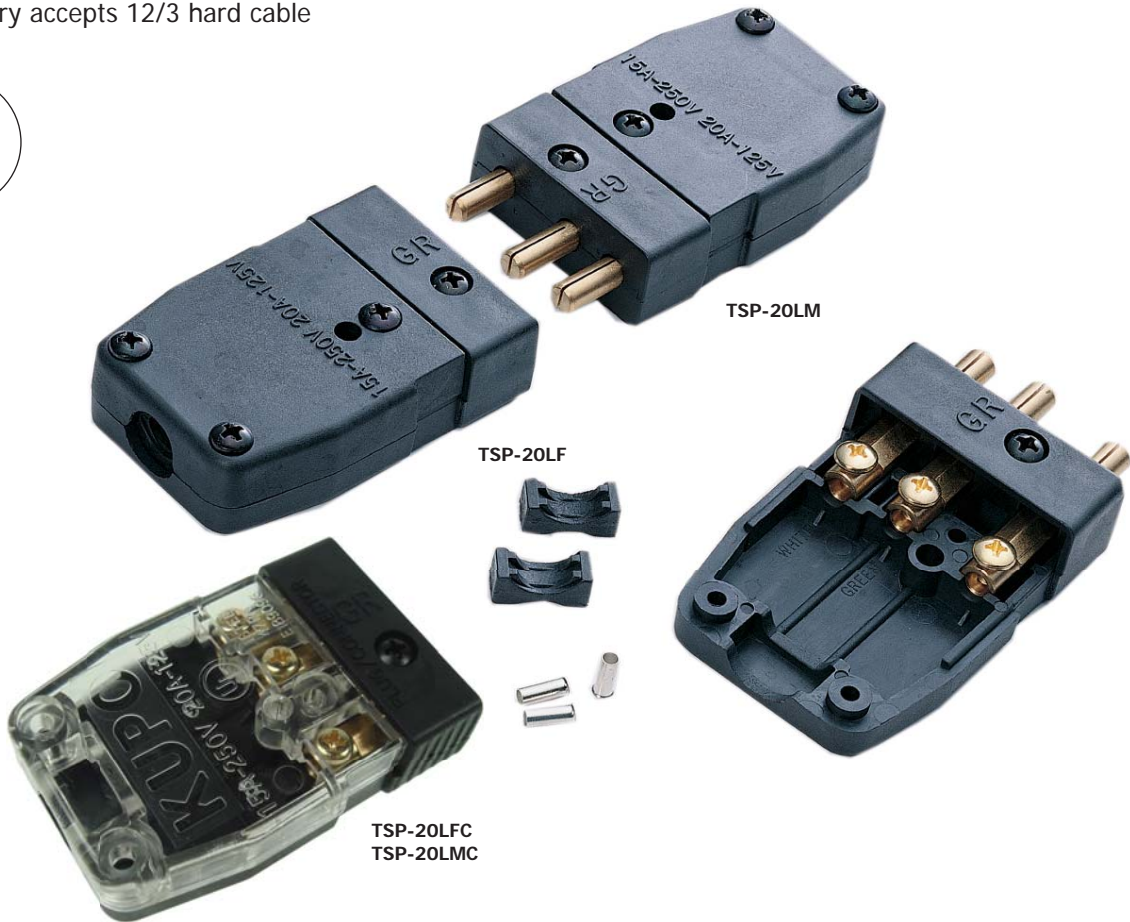
BRAND	ARRI	CINEMILLS	STRAND	MOLE	SUNRAY	LTM	De-Sisti
575W	2407-W	2407-Z	2407-Z	2407-Z	2407-Z		2407-Z
1200W	2407-W	2407-W	2407-W	2407-W	2407-W		2407-W
2500W	2407-O	2407-O	2407-O		2407-O	2407-O	2407-O
4000W	2407-O						
6000W	2806						
12KW	2809						
18KW	2809						

STAGE PIN CONNECTOR

20 AMP INLINE PLUGS AND CONNECTORS

Features:

- Compatible with all other 20Amp Connectors
- Connector body is made of high thermoplastic (material rated at 250 degree C)
- Free from melt and broke down
- Ergonomic design is comfortable to handle
- Crimless pressure terminal reduce the associated with ring terminals
- Wider wiring chamber for easier to wire
- Brass pins are removable and can be replace if damaged pins float in housing for easier alignment and low resistance
- Female sleeves are split to make a spring that exerts pressure on the male pin over the life of the device.
- Even a crushed pin will make contact in female device
- Clearly marked terminals in accordance NEC to prevent mis-wiring
- Cable entry accepts 12/3 hard cable



20 AMP PANEL MOUNT STAGE PIN CONNECTOR

Features:

Both males and females with a screw-driven mounting clip provides quick and easy mounting or removal from panels of various thickness

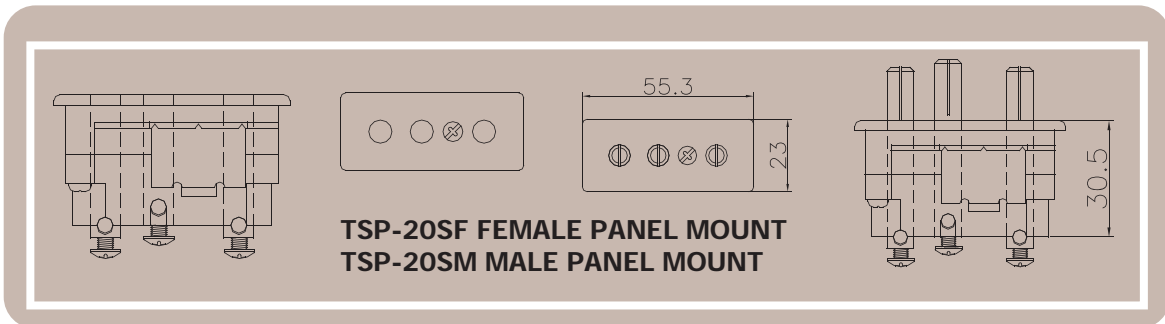
Precision machined solid brass contacts

Stripped conductors could be inserted through the cross-hole for pressure termination using wire shoes, which are included

Ring terminations are also available for panel mount devices

Self-grounding mounting clip eliminates the need for a separate ground wire

Precisely fit the industry standard panel cut-out



POWER CONNECTOR

B&B stands for Blue lid and Black body, is specially designed for entertainment industry, for 250 voltage rating identification and antireflection with matt black finish. That makes the connectors harmonized with the background during a presentation of a production. The professional connector also has CE approval and IP 44 rating to meet the safety standard. It can work stable in low and high temperature indoor or outdoor environment; and widely applied to factor power distribution system, machinery, building site, stage equipments etc.

More Features:

1. Screw-free to lock the housings by twist-lock action.
2. Easy press by needle nose of tool to unlock and twist to open.
3. Lockable cable gland for a quick and firm grip.
4. Adjustable inner gasket for different cable diameters.
5. Constructed by anti-corrosive, high dielectric shock-resistance material.



**B&B
KHTN213**



**B&B
KHTN013**



**B&B
KHTN413**



CEE FORM CONNECTOR

Cat. No.	AMP	PIN	DESCRIPTION	Cat. No.	AMP	PIN	DESCRIPTION
KHTN013	16	3	cable male (B&B)	KHTN213	16	3	cable female (B&B)
KHTN014	16	4	cable male	KHTN214	16	4	cable female
KHTN023	32	3	cable male	KHTN223	32	3	cable female
KHTN025	32	5	cable male	KHTN225	32	5	cable female
				KHTN413	16	3	panel female (B&B)

SCHUKO CONNECTOR

Cat. No.	AMP	PIN	DESCRIPTION	Cat. No.	AMP	PIN	DESCRIPTION
131	16	2	cable male	CZ03	16	2	panel female

KHTN014



KHTN023



KHTN025



131



KHTN214



KHTN223



KHTN225

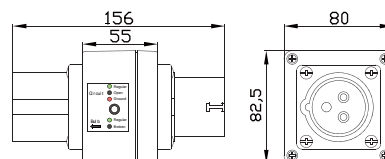


CZ03



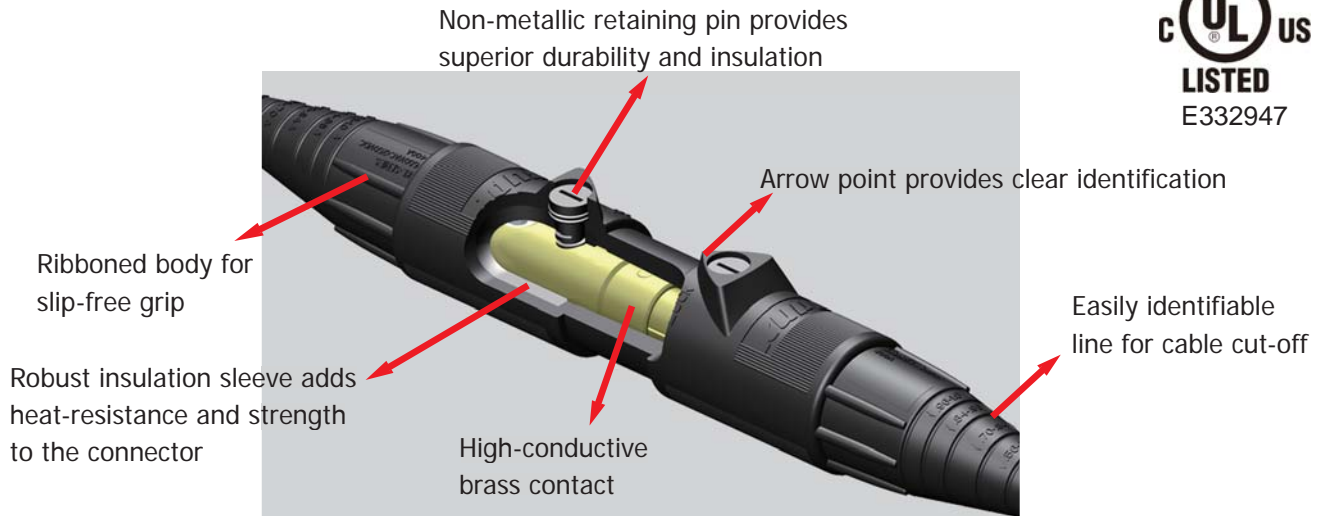
CEE Tester

Convenient and hand-held device to carry out testing for CEE extension cable. Also capable of diagnosing the condition of lamp without taking lamp out of fixture. Built-in LED indicator showing test result.



K-LOK / Single Pole Connector

Kupo manufactures the highest quality single pole connectors available. Kupo cam-type connector has a superior non-conductive retaining screw that passed through the entire contact for superior durability. These single pole connectors have been designed with ease of assembly and disassembly in mind, no special tools are required. K-LOK series connectors mate with competitive CAM products.



Wide range cable access from 0.33" to 1"



Double set screw terminations



Technical Information:

Voltage Rating 600V Maximum
 Amperage Rating 400A Maximum
 Base Compound Santoprene 105°C rated

Contact Material Brass
 Terminal Accommodation #6, #4, #2, 2/0, 4/0
 Retaining Pin Material Phenolic



K-LOK / Plug

K-KOL / Receptacle

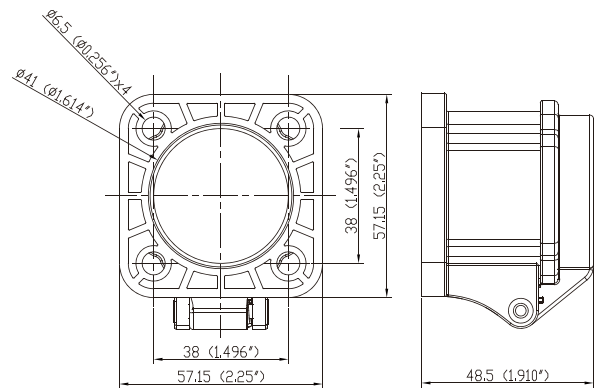
Color	K-LOK / Plug		K-KOL / Receptacle		Double set Screws type	
	Male	Female	Thread stud type Male	Thread stud type Female	Male	Female
BLACK	KL-400LMBK	KL-400LFBK	KL-400SMBK	KL-400SFBK	KL-400SSMBK	KL-400SSFBK
RED	KL-400LMR	KL-400LFR	KL-400SMR	KL-400SFR	KL-400SSMR	KL-400SSFR
GREEN	KL-400LMG	KL-400LFG	KL-400SMG	KL-400SFG	KL-400SSMG	KL-400SSFG
WHITE	KL-400LMW	KL-400LFW	KL-400SMW	KL-400SFW	KL-400SSMW	KL-400SSFW
BLUE	KL-400LMB	KL-400LFB	KL-400SMB	KL-400SFB	KL-400SSMB	KL-400SSFB
BROWN	KL-400LMBN	KL-400LFBN	KL-400SMBN	KL-400SFBN	KL-400SSMBN	KL-400SSFBN
GREY	KL-400LMGY	KL-400LFGY	KL-400SMGY	KL-400SFGY	KL-400SSMGY	KL-400SSFGY

(compatible with major brands of single pole cam type power connectors)

K-LOK Dust Cover

Weatherproof snap back protective cover to fit all compatible brands of 400A cam type receptacles. Standard frame dimension allows retrofit existing application easily. The gasket offers a NEMA 3R rated environmental seal that provides a protection against falling rain, dust or frost, and also provides a safe way to cover exposed metal, while keeping the weather out when the receptacle is not use. Kupo Dust Cover is made from a high impact resistant, flame retardant ABS material and corrosion resistant stainless steel hardware. Five colors available for phase identification.

Cat. Number	Color
KL-DCBK	BLACK
KL-DCW	WHITE
KL-DCB	BLUE
KL-DCR	RED
KL-DCG	GREEN

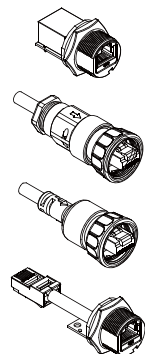


E-Armer (Ethernet Armer)

With growing demand of DMX over Ethernet, Kupo provides its first combination of XLR and Ethernet connector for the entertainment market. Die-cast zinc alloy body makes it robust and durable. Zigzag design houses cable tightly, so cable gland is not required. Easy and quick assembly with pre-wired RJ45 connector without cutting the cable. Available in silver and black. Compatible with EtherCon.



RJ-45 for Ethernet



RJ45-SF RJ-45 PANEL FEMALE
Panel mount, Screw type

RJ45-ASB RJ45 ASSEMBLING KIT
Cable End(Plug), Assembly Type with CAT5e

RJ45-MD RJ45 MOLDING CABLE 30 CM LENGTH
Cable End (Plug), Molding with 30cm CAT5e cable

RJ45-SF-EXE RJ-45 PANEL FEMALE MOLDED WITH
10 CM CABLE / Panel mount, Molding with 10cm cable
and plug, Screw type

Constructed by Nylon with UL94UO approval, offering anti-UV, flame-retarded, acid-resistance and weatherproof features. Contacts are built up of phosphor bronze with 6-30 μ gold plate. All are IP67 rated.



XLR CONNECTOR

XLR CONNECTOR

Feature:

- Zinc Diecast shell
- Solder bucket connections
- Contact layouts in 3 and 5 pin
- Precision machined or stamped contacts
- Plating gold contact

Cat. No.	Description
XLR3-LF-G	XLR 3 pin line female, gold
XLR3-LM-G	XLR 3 pin line male, gold
XLR5-LF-G	XLR 5 pin line female, gold
XLR5-LM-G	XLR 5 pin line male, gold
XLR3-SF-G	XLR 3 pin panel female, gold
XLR3-SM-G	XLR 3 pin panel male, gold
XLR5-SF-G	XLR 5 pin panel female, gold
XLR5-SM-G	XLR 5 pin panel mal, gold
AD-5M3F	Adaptor for XLR 5 pin male to 3 pin female
AD-3M5F	Adaptor for XLR 3 pin male fo 5 pin female
AD-5F5F	Adaptor for XLR 5 pin female to 5 pin female
AD-3F3F	Adaptor for XLR 3 pin female to 3 pin female



XLR WATERPROOF COVER

XLR-WPC is designed to protect XLR connector from wet and dust. IP66 grants it strong watertight feature, fear-free from spout of water. See-through transparent PVC body facilitates watching connector mating. It allows OD 4~6mm cable to pass through, covering wide ranges of signal cable in the market.



Black Jelly Sleeve

XLR-BJS is set to make your job professional. The silicon-made item is a totally brand-new design. In the production, most ready-made XLR cables doesn't come with protection on connectors. Black Jelly Sleeve is right here to help upgrade those cables with additional shield quickly. Adding more fidelity and reliability to XLR connection is just that easy by inserting this sleeve, providing IP65 protection and it will stay away from wet and dust. Silicon formula provides the best elasticity and tension to hold the connector tightly. Black color turns the XLR metallic-shinning finish to a low-key feature. Feasible for Neutrik 3-Pin and 5-Pin XLR connectors.