

BlacklineQ User Guide



Copyright © 2025 Martin Audio Limited
Publication date 2025-07-11



Table of Contents

Introduction	4
BlacklineQ full-range loudspeakers	5
Blackline Q8	5
Blackline Q10	5
Blackline Q12	6
Blackline Q15	6
BlacklineQ column speakers	7
Blackline Q44	7
Blackline Q26	7
BlacklineQ subwoofers	8
Blackline Q210	8
Blackline Q118	8
Blackline Q218	8
Connecting BlacklineQ	10
Connecting Q8, Q10, Q12 and Q15	10
Connecting column speakers	10
Connecting subwoofers	10
Wall mounting	11
Landscape or portrait orientation	11
To wall mount BlacklineQ	11
Eye bolt mounting	13
Amplifiers	14
VIA amplifiers	14
iKON amplifiers	14
System controllers	14
Recommended amplifiers	15
Amplifier compatibility	16
Q8 amplifier compatibility	16
Q10 amplifier compatibility	16
Q12 amplifier compatibility	17
Q15 amplifier compatibility	17
Q44 amplifier compatibility	18
Q26 amplifier compatibility	18
Q210 amplifier compatibility	19
Q118 amplifier compatibility	19
Q218 amplifier compatibility	20
System design	21
To download Display 3	21
EASE files	21
3D SketchUp files	21
DWG files	21
Specifications	22
Q8 specification	22
Q10 specification	22
Q12 specification	23
Q15 specification	23
Q44 specification	24
Q26 specification	24
Q210 specification	25

Q118 specification	25
Q218 specification	26
Technical drawings	27
Troubleshooting	36
Technical support	36
Service	36
Warranty	36
Unpacking	36
Recycling	36

Introduction

BlacklineQ is the latest evolution of Martin Audio's iconic Blackline Series, which has set the global standard for affordable professional loudspeakers for over 25 years. Known for their sound quality and reliability, Blackline loudspeakers have been trusted in a wide range of applications around the world.

This new generation includes improved passive two-way point source loudspeakers, all-new column speakers and a suite of subwoofers. Designed for flexibility, BlacklineQ is equally suited to portable use and permanent installation, whether for live sound, theatre, DJs, corporate events or fixed venues such as clubs, hospitality spaces, conference rooms and houses of worship.

The range includes:

- Four full-range speakers: Q8, Q10, Q12 and Q15
- Two column speakers: QC26 and QC44
- Three subwoofers: Q210, Q118 and Q218

The Q8, Q10, Q12 and Q15 full-range loudspeakers feature rotatable Differential Dispersion horns, allowing them to be installed in either portrait or landscape orientation while maintaining optimal coverage. The Q26 and Q44 column speakers also use Differential Dispersion technology for wide, consistent coverage, though they are designed for portrait orientation only.

A range of optional accessories supports flexible deployment, including wall brackets, yokes, eyebolts for flying, transit covers and an adjustable pole mount. These accessories make it easy to adapt BlacklineQ systems to a variety of environments and installation requirements.

BlacklineQ full-range loudspeakers

The BlacklineQ full-range loudspeakers, Q8, Q10, Q12 and Q15, are passive two-way systems designed for professional portable and installed sound applications. Each model features a rotatable Differential Dispersion horn, allowing for horizontal or vertical orientation depending on deployment needs. This ensures wide, consistent coverage and optimal performance across a variety of environments.

Constructed from durable plywood and finished in tough black textured paint, all models include a screw-tight steel grille and a pole-mount socket with a removable cover to maintain clean lines in installed setups. The Q8 includes M6 inserts for the wall bracket and M8 inserts for yokes or eyebolt suspension. The Q10, Q12 and Q15 use M8 inserts for all mounting options including wall brackets, yokes and flying hardware.

These loudspeakers can be used as standalone systems or paired with BlacklineQ subwoofers for extended low-frequency performance. They are recommended for use with a processor and amplifier, such as a DX processor with a VIA amplifier, or an iKON amplifier with integrated processing.

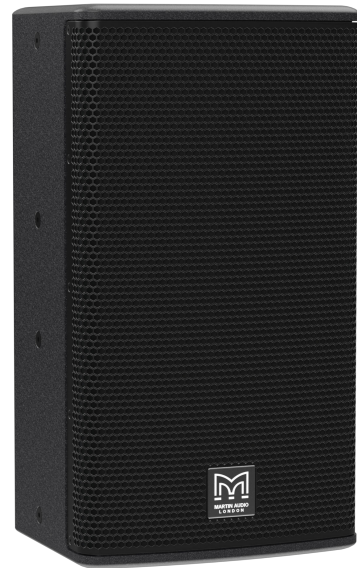
Blackline Q8



The Q8 features an 8" (200 mm) LF driver with a 2" (50 mm) voice coil and a 1" (25 mm) exit HF compression driver with a 1" (25 mm) dome. It delivers a peak SPL

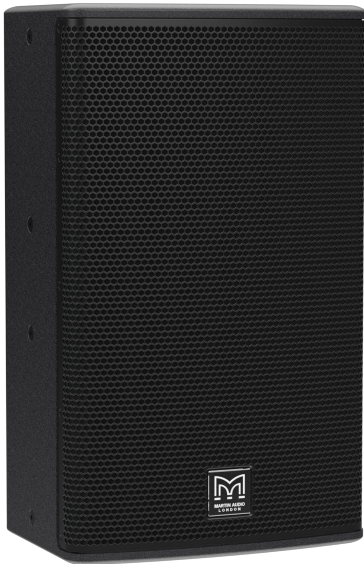
of 121 dB (127 dB with crest factor 4) and is ideal for distributed sound reinforcement, AV events, houses of worship and compact stage monitoring.

Blackline Q10



Q10 includes a 10" (250 mm) LF driver with a 2.5" (63 mm) voice coil and a 1" (25 mm) exit HF compression driver with a 1.4" (36 mm) dome. It delivers a peak SPL of 125 dB (131 dB with crest factor 4), making it suitable for music bars, clubs and other high-output environments where space is limited.

Blackline Q12



Q12 is equipped with a 12" (300 mm) LF driver with a 2.5" (63 mm) voice coil and a 1" (25 mm) exit HF compression driver with a 1.7" (43 mm) dome. It delivers a peak SPL of 127 dB (133 dB with crest factor 4) and offers powerful performance for dancefloors and sound reinforcement applications.

Blackline Q15



Blackline Q15 is a significant upgrade over its predecessor, delivering enhanced performance and wider coverage, and features a die-cast aluminium chassis for improved thermal conductivity and more efficient motor cooling. It includes a 15" (380 mm) LF driver with a 4" (102 mm) voice coil and a 1.4" (35 mm) exit HF compression driver with a 3" (75 mm) dome. With a peak SPL of 133 dB (139 dB with crest factor 4), it delivers maximum output and coverage, making it ideal for demanding portable and installed applications.

BlacklineQ column speakers

The BlacklineQ column loudspeakers, Q44 and Q26, are designed for applications where clarity, control and discreet aesthetics are essential. Both models deliver wide, consistent coverage using Differential Dispersion horns, making them ideal for speech reinforcement and musical playback in performance venues, corporate events and houses of worship.

Each enclosure is constructed from durable plywood and finished in hard-wearing black or white paint. A screw-tight steel grille protects the drivers. M6 inserts are provided for wall brackets, while M8 inserts support yokes and eyebolt suspension. A pole-mount socket with a removable cover maintains clean lines when not in use.

Both models can be used as standalone systems or paired with the BlacklineQ210 subwoofer for extended low-frequency performance. They are recommended for use with a processor and amplifier, such as a DX processor with a VIA amplifier, or an iKON amplifier with integrated processing.

Blackline Q44



Q44 features four 4" (100 mm) LF drivers with 1.5" (38 mm) voice coils and a 1" (25 mm) exit HF compression driver. It delivers a peak SPL of 119 dB (or 125 dB with a crest factor of 4) from a compact, elegant enclosure. The Q44 is well suited to rental

and installed applications where refined musicality and extended bandwidth are required.

Blackline Q26



The Q26 features dual 6" (150 mm) LF drivers with 1.5" (38 mm) voice coils and a 1" (25 mm) exit HF compression driver. It delivers a higher peak SPL of 125 dB (or 131 dB with a crest factor of 4), making it a powerful option for applications requiring greater output from a compact footprint.

BlacklineQ subwoofers

The BlacklineQ subwoofers, Q210, Q118 and Q218, are designed to extend low-frequency performance across the series, offering scalable solutions for portable and installed sound systems. Each model is housed in a durable plywood enclosure with a perforated steel grille and slot ports to reduce turbulence and enhance efficiency.

All three models include an M20 1.4" (35 mm) pole-mount fitting for seamless integration with BlacklineQ full-range loudspeakers. Two signal link outputs, positioned at the top and bottom of the enclosure when oriented vertically, allow for flexible and discreet cable management. Rubber feet and top-surface recesses ensure stable stacking, and ergonomic side handles support easy handling. Q118 and Q218 also support an optional castor kit for improved portability.

Crossover and EQ functions can be managed using DX0.4, DX0.6 or DX4.0 system controllers, or the onboard DSP of an iKON amplifier.

Blackline Q210



Q210 is a slimline, dual-driver subwoofer designed for visually discreet applications. It features two 10" (250 mm) drivers with 2" (50 mm) voice coils and delivers a peak SPL of 124 dB (130 dB with crest factor 4), extending system response down to 49 Hz. It can be deployed singly, stacked or flown using integral M8

inserts. A white finish is also available to match white BlacklineQ column loudspeakers.

Blackline Q118



Q118 is a compact, high-performance subwoofer featuring an 18" (460 mm) driver with a 4" (100 mm) voice coil. It delivers a peak SPL of 130 dB (136 dB with crest factor 4) and extends system response down to 38 Hz. It can be used individually, stacked or flown via M10 inserts. Castors are available as an optional accessory.

Blackline Q218



Q218 is a high-output, dual-driver subwoofer with two 18" (460 mm) drivers and 4" (100 mm) voice coils. It

delivers a peak SPL of 136 dB (142 dB with crest factor 4) and extends system response down to 38 Hz. Designed for demanding applications, it can be deployed singly, stacked or flown using M10 inserts. Castors are available as an optional accessory.

Connecting BlacklineQ

Connecting Q8, Q10, Q12 and Q15

The BlacklineQ full-range loudspeakers, Q8, Q10, Q12 and Q15, have two NL4 sockets on the rear panel, labelled INPUT and LINK. Despite the labels, the two sockets are the same, so you can use them either way round. However, we recommend you use them as labelled to simplify cabling checks. For both sockets, the pins connect as follows:

- Pins 1+/1– input to the speaker and link through to pins 1+/1– of the other socket.
- Pins 2+/2– link through to pins 2+/2– of the other socket.

Connecting column speakers

The BlacklineQ column speakers, Q26 and Q44, have one NL4 socket on the rear panel, labelled INPUT. The pins connect as follows:

- Pins 1+/1– input to the speaker.
- Pins 2+/2– are unused.

Connecting subwoofers

The three BlacklineQ subwoofers, Q210, Q118 and Q218, have three NL4 sockets on the rear panel, labeled INPUT, LINK A and LINK B.

When the subwoofer is orientated with the pole mount at the top, the connectors are arranged as follows:

- INPUT and LINK A are located as a pair at the bottom rear.
- LINK B is positioned at the top rear.

This layout allows for a short, tidy speaker cable run from LINK B to a full-range or column loudspeaker mounted on a pole above the subwoofer.

INPUT and LINK A

The pair of sockets labeled INPUT and LINK A are the same, so you can use them either way round. However, we recommend you use them as labelled to simplify cabling checks. For both these sockets, the pins connect as follows:

- Pins 1+/1– input to the speaker and link through to pins 1+/1– of the other socket.

- Pins 2+/2– link through to pins 2+/2– of the other socket.

LINK B

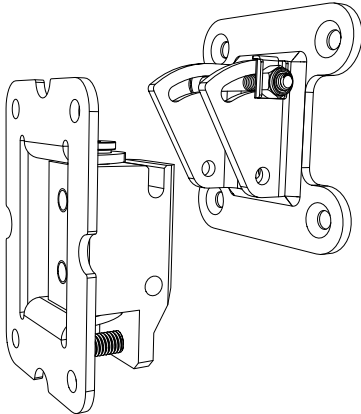
The LINK B pins connect as follows:

- Pins 1+/1– connect from input 2+/2–.
- Pins 2+/2– are unused.

Wall mounting

Any BlacklineQ full-range loudspeaker can be wall-mounted using an optional accessory wall bracket. Each bracket consists of two parts:

- A **wall section**, which mounts to the wall.
- A **cabinet section**, which attaches to the loudspeaker.



During installation, a horizontal bolt on the cabinet section slots into a notch on the wall section. This supports the weight of the loudspeaker while you secure the bracket in place.

There are three sizes of wall bracket available:

- **WB6/8** for Q8, Q26 and Q44.
- **WB10/12** for Q10 and Q12.
- **WB15** for Q15.

The difference between these brackets lies in their size and strength. The WB10/12 and WB15 models are larger and more robust to accommodate the heavier weight of the Q10, Q12, and Q15 loudspeakers. Despite the size differences, the installation procedure is the same for all three bracket types.

Each bracket provides tilt and pan adjustment, allowing precise positioning of the loudspeaker.

In addition to the BlacklineQ series, these brackets are compatible with the following Martin Audio ranges:

- BlacklineX
- CDD
- CDD-LIVE
- FlexPoint
- Adorn (A80T only)

Landscape or portrait orientation

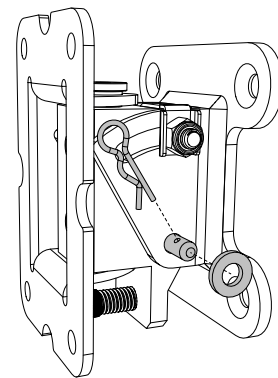
The Q8, Q10, Q12, and Q15 loudspeakers can be wall-mounted in either landscape or portrait orientation.



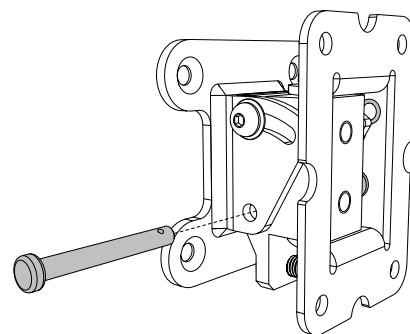
When mounting in landscape, you must rotate the driver to maintain correct dispersion and performance.

To wall mount BlacklineQ

1. Depending on your bracket, either remove the R-clip and washer (as shown below) or the nut on the lower bolt. Don't remove the upper nut and bolt in the curved slot.

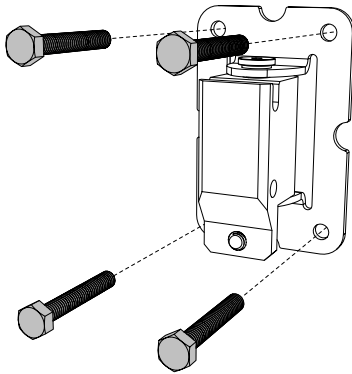


2. Remove the lower bolt (as shown below):



3. Separate the two parts of the bracket.
4. Attach the wall section to the wall. Note that the wall section is rectangular while the cabinet section

is square. The grub screw needs to be at the bottom and the sideways notch at the top.



Make sure you use wall fixings that are appropriate for the wall material and the weight of the speaker.

Wall section mounting hole specifications:

- Q8, Q26 and Q44: wall section has four holes with a diameter of 7 mm (0.28 in).
- Q10 and Q12: wall section has four holes with a diameter of 9 mm (0.35 in).
- Q15: wall section has six holes with a diameter of 11 mm (0.43 in).

5. If you are installing in landscape or upside-down portrait, rotate the driver.

Note that for portrait, it is usually best to install the speaker the right way up. This is because with upside-down portrait on a wall bracket, you will have little ability to tilt the speaker down before it touches the wall.

6. Remove (and keep) four screws from the rear of the cabinet.
 - For Q8, Q26 and Q44, use a 4 mm hex key.
 - For Q10, Q12 and Q15, use a 5 mm hex key.

For Q8, Q10, Q12 and Q15, there are six wall bracket screws:

- For portrait, remove the lower four screws, as this will allow you more downwards tilt of the speaker.
- For landscape, remove the four screws in the middle of the cabinet.

For Q26 and Q44, there are only four screws, so there is no choice of which screws to remove.

7. Attach the cabinet section of the bracket (the square section) using the same screws. Make sure that the bolt is horizontal.

8. Lift the speaker up to the bracket and hook the horizontal bolt into the notch of the wall section.

The bracket will now hold the speaker in place.



When working at height, you must use appropriate safety measures.

A scaffold tower or lifting platform will allow you to use both hands safely.

9. Replace the lower fastening. Depending on your bracket, this is either a pin (as shown below) or a bolt.
10. Fix the pin or bolt in place, with either the washer and R-clip or the nut.
11. Loosen the vertical bolt (using an M5 hex key) and adjust the speaker horizontally on this bolt.
12. Loosen the upper horizontal bolt.
13. Adjust the vertical position using the grub screw.
14. Connect the [loudspeaker cable \(page 10\)](#).
15. Check the coverage using an audio source and make final adjustments to the vertical and horizontal positions.
16. When you have found the best position, tighten the vertical and horizontal bolts.

Eye bolt mounting

You can fly individual BlacklineQ speakers or subwoofers using Martin Audio shouldered eye bolts and steel rope or chains. This allows you to suspend individual speakers from suitable fixings in the ceiling or from trusses or scaffolding bars.

- Q8, Q10, Q12, Q15, Q26, Q44 and Q210
M8 eye bolt (HTKCT05)
- Q118 and Q218
M10 eye bolt (HTKCT06)



Don't use eye bolts from other manufacturers, as this could be dangerous.

Forged-steel eye bolts available from DIY suppliers are **not** strong enough. Even cast or machined eye bolts rated for purpose can be unsuitable, as they can have wide shoulders that cause the bolt to tighten against the cabinet rather than the thread.

You can fly Q8, Q10, Q12 and Q15 in portrait or landscape. For landscape, you must rotate the driver. The most common flying method is to use two positions on the top as the primary suspension points and the third at the rear providing downward tilt.

For Q26 and Q44, you can fly only in portrait.



The rigging method and components must be suitable for both the weight of the speaker and the suspension points.

Amplifiers

For a small BlacklineQ system, we recommend using Martin Audio VIA amplifiers. These provide efficient, high-quality amplification suitable for compact setups.

For larger systems, iKON amplifiers offer advanced processing and greater power handling, making them ideal for more demanding applications.

For recommended amplifiers, see [Recommended amplifiers \(page 15\)](#).

For details of amplifier compatibility, see [Amplifier compatibility \(page 16\)](#).

VIA amplifiers

We have four VIA amplifiers, two with two channels and two with four channels.

Amplifier	Power output
VIA2004	4 x 500 W into 4 ohms
	4 x 250 W into 8 ohms
VIA2502	2 x 1,250 W into 2 ohms
	2 x 800 W into 4 ohms
	2 x 450 W into 8 ohms
	1 x 2,500 W bridged into 4 ohms
VIA5002	1 x 1,600 W bridged into 8 ohms
	2 x 2,500 W into 4 ohms
VIA5004	2 x 1,600 W into 8 ohms
	4 x 1,250 W into 2 ohms
VIA5004	4 x 800 W into 4 ohms
	4 x 450 W into 8 ohms
	2 x 2,500 W bridged into 4 ohms
	2 x 1,600 W bridged into 8 ohms

For further details, see our website martin-audio.com.

iKON amplifiers

We have three iKON amplifiers, two with four channels and one with eight channels.

The iKON amplifiers have on-board system processing, so you don't need a separate [system controller \(page 14\)](#).

Amplifier	Power output
iK41	4 x 1,500 W into 2 ohms
	4 x 1,500 W into 4 ohms
	4 x 750 W into 8 ohms
	4 x 325 W into 16 ohms
	2 x 3,000 W bridged into 4 ohms
	2 x 3,000 W bridged into 8 ohms
iK42	4 x 5,000 W into 2 ohms
	4 x 3,000 W into 4 ohms
	4 x 1,500 W into 8 ohms
	4 x 750 W into 16 ohms
	2 x 10,000 W bridged into 4 ohms
	2 x 6,000 W bridged into 8 ohms
iK81	8 x 1,250 W into 2 ohms
	8 x 1,250 W into 4 ohms
	8 x 1,250 W into 8 ohms
	8 x 625 W into 16 ohms
	4 x 2,500 W bridged into 4 ohms
4 x 2,500 W bridged into 8 ohms	

For further details, see our website martin-audio.com.

System controllers

For system controllers, we recommend the Martin Audio DX0.4, DX0.6 or DX4.0. Note that if you use an iKON amplifier, you don't need a system controller as these amplifiers have on-board system processing. For further details, see our website martin-audio.com.

Recommended amplifiers

	VIA2004	VIA2502	VIA5004	VIA5002	iK41	iK42	iK81
Q8	Yes	Yes	Yes	Yes	Yes	Yes	Yes
Q10		Yes	Yes	Yes	Yes	Yes	Yes
Q12		Yes	Yes	Yes	Yes	Yes	Yes
Q15				Yes		Yes	Yes
Q26		Yes	Yes	Yes	Yes	Yes	Yes
Q44	Yes	Yes	Yes	Yes	Yes	Yes	Yes
Q210	Yes	Yes	Yes	Yes	Yes	Yes	Yes
Q118				Yes		Yes	Yes
Q218				Yes		Yes	

For details of amplifier compatibility, see [Amplifier compatibility \(page 16\)](#).

Amplifier compatibility

Q8 amplifier compatibility

Amplifier	Channels	Channels used	One speaker per channel (8 ohm)	Two speakers per channel (4 ohm)	Three speakers per channel (2.67 ohm)	Four speakers per channel (2 ohm)
iK41	One channel	1 of 4	Yes	Yes	Yes	-0.3 dB
	Two channels bridged	2 of 4	NA	NA	NA	No
iK42	One channel	1 of 4	Yes	Yes	Yes	Yes
	Two channels bridged	2 of 4	NA	NA	NA	NA
iK81	One channel	1 of 8	Yes	Yes	Yes	-1.1 dB
	Two channels bridged	2 of 8	NA	NA	NA	No
VIA5004	One channel	1 of 4	Yes	Yes	-1.1 dB	-1.1 dB
	Two channels bridged	2 of 4	NA	NA	No	No
VIA2502	One channel	1 of 2	Yes	Yes	-1.1 dB	-1.1 dB
	Two channels bridged	2 of 2	NA	NA	No	No
VIA5002	One channel	1 of 2	Yes	Yes	No	No
	Bridging not available	NA	NA	NA	NA	NA
VIA2004	One channel	1 of 4	-2.0 dB	-2.0 dB	No	No
	Bridging not available	NA	NA	NA	NA	NA

Q10 amplifier compatibility

Amplifier	Channels	Channels used	One speaker per channel (8 ohm)	Two speakers per channel (4 ohm)	Three speakers per channel (2.67 ohm)	Four speakers per channel (2 ohm)
iK41	One channel	1 of 4	Yes	Yes	Yes	-1.2 dB
	Two channels bridged	2 of 4	NA	NA	NA	No
iK42	One channel	1 of 4	Yes	Yes	Yes	Yes
	Two channels bridged	2 of 4	NA	NA	NA	NA
iK81	One channel	1 of 8	Yes	Yes	-0.8 dB	-2.0 dB
	Two channels bridged	2 of 8	NA	NA	No	No
VIA5004	One channel	1 of 4	-0.5 dB	-1.0 dB	-2.0 dB	-2.0 dB
	Two channels bridged	2 of 4	Yes	Yes	No	No
VIA2502	One channel	1 of 2	-0.5 dB	-1.0 dB	-2.0 dB	-2.0 dB
	Two channels bridged	2 of 2	Yes	Yes	No	No
VIA5002	One channel	1 of 2	Yes	Yes	No	No
	Bridging not available	NA	NA	NA	NA	NA
VIA2004	One channel	1 of 4	No	No	No	No
	Bridging not available	NA	NA	NA	NA	NA

Q12 amplifier compatibility

Amplifier	Channels	Channels used	One speaker per channel (8 ohm)	Two speakers per channel (4 ohm)	Three speakers per channel (2.67 ohm)	Four speakers per channel (2 ohm)
iK41	One channel	1 of 4	Yes	Yes	-0.8 dB	-2.0 dB
	Two channels bridged	2 of 4	NA	NA	No	No
iK42	One channel	1 of 4	Yes	Yes	Yes	Yes
	Two channels bridged	2 of 4	NA	NA	NA	NA
iK81	One channel	1 of 8	Yes	Yes	-1.6 dB	No
	Two channels bridged	2 of 8	NA	NA	No	No
VIA5004	One channel	1 of 4	-1.2 dB	-1.8 dB	No	No
	Two channels bridged	2 of 4	Yes	Yes	No	No
VIA2502	One channel	1 of 2	-1.2 dB	-1.8 dB	No	No
	Two channels bridged	2 of 2	Yes	Yes	No	No
VIA5002	One channel	1 of 2	Yes	Yes	No	No
	Bridging not available	NA	NA	NA	NA	NA
VIA2004	One channel	1 of 4	No	No	No	No
	Bridging not available	NA	NA	NA	NA	NA

Q15 amplifier compatibility

Amplifier	Channels	Channels used	One speaker per channel (8 ohm)	Two speakers per channel (4 ohm)	Three speakers per channel (2.67 ohm)	Four speakers per channel (2 ohm)
iK41	One channel	1 of 4	No	No	No	No
	Two channels bridged	2 of 4	Yes	-0.3 dB	No	No
iK42	One channel	1 of 4	-0.3 dB	-0.3 dB	-0.3 dB	-1.1 dB
	Two channels bridged	2 of 4	Yes	Yes	No	No
iK81	One channel	1 of 8	-1.1 dB	No	No	No
	Two channels bridged	2 of 8	Yes	-1.1 dB	No	No
VIA5004	One channel	1 of 4	No	No	No	No
	Two channels bridged	2 of 4	Yes	-1.1 dB	No	No
VIA2502	One channel	1 of 2	No	No	No	No
	Two channels bridged	2 of 2	Yes	-1.1 dB	No	No
VIA5002	One channel	1 of 2	Yes	-1.1 dB	No	No
	Bridging not available	NA	NA	NA	NA	NA
VIA2004	One channel	1 of 4	No	No	No	No
	Bridging not available	NA	NA	NA	NA	NA

Q44 amplifier compatibility

Amplifier	Channels	Channels used	One speaker per channel (8 ohm)	Two speakers per channel (4 ohm)	Three speakers per channel (2.67 ohm)	Four speakers per channel (2 ohm)
iK41	One channel	1 of 4	Yes	Yes	Yes	-0.3 dB
	Two channels bridged	2 of 4	NA	NA	NA	No
iK42	One channel	1 of 4	Yes	Yes	Yes	Yes
	Two channels bridged	2 of 4	NA	NA	NA	NA
iK81	One channel	1 of 8	Yes	Yes	Yes	-1.1 dB
	Two channels bridged	2 of 8	NA	NA	NA	No
VIA5004	One channel	1 of 4	Yes	Yes	-1.1 dB	-1.1 dB
	Two channels bridged	2 of 4	NA	NA	No	No
VIA2502	One channel	1 of 2	Yes	Yes	-1.1 dB	-1.1 dB
	Two channels bridged	2 of 2	NA	NA	No	No
VIA5002	One channel	1 of 2	Yes	Yes	No	No
	Bridging not available	NA	NA	NA	NA	NA
VIA2004	One channel	1 of 4	-2.0 dB	-2.0 dB	No	No
	Bridging not available	NA	NA	NA	NA	NA

Q26 amplifier compatibility

Amplifier	Channels	Channels used	One speaker per channel (8 ohm)	Two speakers per channel (4 ohm)	Three speakers per channel (2.67 ohm)	Four speakers per channel (2 ohm)
iK41	One channel	1 of 4	Yes	Yes	-0.8 dB	-2.0 dB
	Two channels bridged	2 of 4	NA	NA	No	No
iK42	One channel	1 of 4	Yes	Yes	Yes	Yes
	Two channels bridged	2 of 4	NA	NA	NA	NA
iK81	One channel	1 of 8	Yes	Yes	-1.6 dB	No
	Two channels bridged	2 of 8	NA	NA	No	No
VIA5004	One channel	1 of 4	-1.2 dB	-1.8 dB	No	No
	Two channels bridged	2 of 4	Yes	Yes	No	No
VIA2502	One channel	1 of 2	-1.2 dB	-1.8 dB	No	No
	Two channels bridged	2 of 2	Yes	Yes	No	No
VIA5002	One channel	1 of 2	Yes	Yes	No	No
	Bridging not available	NA	NA	NA	NA	NA
VIA2004	One channel	1 of 4	No	No	No	No
	Bridging not available	NA	NA	NA	NA	NA

Q210 amplifier compatibility

Amplifier	Channels	Channels used	One speaker per channel (4 ohm)	Two speakers per channel (2 ohm)
iK41	One channel	1 of 4	Yes	-0.3 dB
	Two channels bridged	2 of 4	NA	No
iK42	One channel	1 of 4	Yes	Yes
	Two channels bridged	2 of 4	NA	NA
iK81	One channel	1 of 8	Yes	-1.1 dB
	Two channels bridged	2 of 8	NA	No
VIA5004	One channel	1 of 4	Yes	-1.1 dB
	Two channels bridged	2 of 4	NA	No
VIA2502	One channel	1 of 2	Yes	-1.1 dB
	Two channels bridged	2 of 2	NA	No
VIA5002	One channel	1 of 2	Yes	No
	Bridging not available	NA	NA	NA
VIA2004	One channel	1 of 4	-2.0 dB	No
	Bridging not available	NA	NA	NA

Q118 amplifier compatibility

Amplifier	Channels	Channels used	One speaker per channel (8 ohm)	Two speakers per channel (4 ohm)	Three speakers per channel (2.67 ohm)	Four speakers per channel (2 ohm)
iK41	One channel	1 of 4	No	No	No	No
	Two channels bridged	2 of 4	Yes	-0.3 dB	No	No
iK42	One channel	1 of 4	-0.3 dB	-0.3 dB	-0.3 dB	-1.1 dB
	Two channels bridged	2 of 4	Yes	Yes	No	No
iK81	One channel	1 of 8	-1.1 dB	No	No	No
	Two channels bridged	2 of 8	Yes	-1.1 dB	No	No
VIA5004	One channel	1 of 4	No	No	No	No
	Two channels bridged	2 of 4	Yes	-1.1 dB	No	No
VIA2502	One channel	1 of 2	No	No	No	No
	Two channels bridged	2 of 2	Yes	-1.1 dB	No	No
VIA5002	One channel	1 of 2	Yes	-1.1 dB	No	No
	Bridging not available	NA	NA	NA	NA	NA
VIA2004	One channel	1 of 4	No	No	No	No
	Bridging not available	NA	NA	NA	NA	NA

Q218 amplifier compatibility

Amplifier	Channels	Channels used	One speaker per channel (4 ohm)	Two speakers per channel (2 ohm)
iK41	One channel	1 of 4	No	No
	Two channels bridged	2 of 4	-0.3 dB	No
iK42	One channel	1 of 4	-0.3 dB	-1.1 dB
	Two channels bridged	2 of 4	Yes	No
iK81	One channel	1 of 8	No	No
	Two channels bridged	2 of 8	-1.1 dB	No
VIA5004	One channel	1 of 4	No	No
	Two channels bridged	2 of 4	-1.1 dB	No
VIA2502	One channel	1 of 2	No	No
	Two channels bridged	2 of 2	-1.1 dB	No
VIA5002	One channel	1 of 2	-1.1 dB	No
	Bridging not available	NA	NA	NA
VIA2004	One channel	1 of 4	No	No
	Bridging not available	NA	NA	NA

System design

To design your system and decide on the best positions for speakers and subs, we recommend Martin Audio **Display 3** software, which we provide as a free download from our website.

Display 3 allows you to model your space and experiment with various system configurations and speaker positions. Display 3 predicts the performance of your experimental configurations, allowing you to optimise the performance of your system at the design stage.

To download Display 3

1. Visit our website martin-audio.com.
2. Select **Support > Software/Firmware**.
3. Scroll to **Display 3** and click **Download**.

EASE files

For acoustic modelling of BlacklineQ, we recommend **Display 3**. However, if you wish to use EASE, we provide a ZIP file containing high-resolution GLL files available as a free download.

Please note that EASE Focus is not supported for the BlacklineQ series.

To download GLL files

1. Visit our website martin-audio.com.
2. Select **Support > Measurement Data**.
3. Scroll to **BlacklineQ Series** and click **Download**.

3D SketchUp files

For modelling BlacklineQ in **Sketchup**, we provide 3D SketchUp files as free downloads.

To download 3D Sketchup files

1. Visit our website martin-audio.com.
2. Select **Products > Product List** and click on the appropriate speaker.
3. Select the **Technical drawings & 3D models** section and click **SKP-BLACK** or **SKP-WHITE**.
4. For accessories, select the **Accessories** section and click **SKP-B** or **SKP-W**.

DWG files

For viewing the BlacklineQ technical drawings in CAD software such as AutoCAD, we provide DWG files as free downloads.

To download DWG files

1. Visit our website martin-audio.com.
2. Select **Products > Product List** and click on the appropriate speaker.
3. Select the **Technical drawings & 3D models** section and click **DWG**.
4. For DWG files for accessories, select the **Accessories** section and click **DWG**.

Specifications

Q8 specification

Type	Ultra-compact, passive two-way loudspeaker
Frequency response ¹	67 Hz – 17 kHz ± 3 dB, –10 dB @ 51 Hz
Driver (LF)	8" (200 mm) with 4" (100 mm) voice coil, ferrite motor system
Driver (HF)	1" (25 mm) exit compression driver with 1" (25 mm) voice coil, PETP dome
Rated power ²	200 W AES, 800 W peak
Recommended electronics	DX0.4, DX0.6 or DX4.0 system processor and VIA amplifier, or iKON amplifier-processor
Sensitivity ³	92 dB
Maximum SPL ³	115 dB continuous, 121 dB peak, 127 dB peak with crest factor 4
Nominal impedance	8 ohm
Dispersion ⁴	Horizontal: 90° on axis, 110° at 15° below axis Vertical: 50° total (+20° / –30°) User-rotatable Differential Dispersion horn
Crossover	3 kHz passive
Enclosure	Symmetrical multi-angle plywood
Finish	Black textured paint
Protective grille	Black perforated steel grille with scrim cloth backing
Connectors	2 x NL4 connectors: input and link
Pin connections (input)	1+/1–
Pin connections (link)	1+/1–: Connected from 1+/1– on input 2+/2–: Connected from 2+/2– on input
Fittings	15 x M8 inserts: 3 on top, 3 on bottom, 4 on left, 4 on right, 1 on rear 6 x M6 inserts on rear for wall bracket 1 x pocket handle with recycled ABS pocket Pole-mount socket with removable cover
IP rating	None
Dimensions	(W) 236 mm x (H) 500 mm x (D) 250 mm (W) 9.3 in x (H) 19.7 in x (D) 9.8 in
Weight	10.1 kg (22.3 lbs)
Accessories (optional)	Wall bracket WB6/8 M8 eye bolt HTKCT05 Yoke Transit cover

¹On-axis in open space (4 pi) at 1 m.

²AES Standard ANSI S4.26-1984.

³In open space (4 pi) at 1 m with 2.83 V input and band-limited pink noise.

⁴In open space (4 pi) at 2 m to –6 dB.

Q10 specification

Type	Compact, passive two-way loudspeaker
Frequency response ¹	63 Hz – 17 kHz ± 3 dB, –10 dB @ 48 Hz
Driver (LF)	10" (250 mm) with 2.5" (63 mm) voice coil, ferrite motor system
Driver (HF)	1" (25 mm) exit compression driver with 1.4" (36 mm) voice coil, polyimide dome
Rated power ²	250 W AES, 1000 W peak
Recommended electronics	DX0.4, DX0.6 or DX4.0 system processor and VIA amplifier, or iKON amplifier-processor
Sensitivity ³	95 dB
Maximum SPL ³	119 dB continuous, 125 dB peak, 131 dB peak with crest factor 4
Nominal impedance	8 ohm
Dispersion ⁴	Horizontal: 90° on axis, 110° at 15° below axis Vertical: 50° total (+20° / –30°) User-rotatable Differential Dispersion horn
Crossover	3 kHz passive
Enclosure	Symmetrical multi-angle plywood
Finish	Black textured paint
Protective grille	Black perforated steel grille with scrim cloth backing
Connectors	2 x NL4 connectors: input and link
Pin connections (input)	1+/1–
Pin connections (link)	1+/1–: Connected from 1+/1– on input 2+/2–: Connected from 2+/2– on input
Fittings	15 x M8 inserts: 3 on top, 3 on bottom, 4 on left, 4 on right, 1 on rear 6 x M8 inserts on rear for wall bracket 1 x bar handle with recycled ABS pocket Pole-mount socket with removable cover
IP rating	None
Dimensions	(W) 300 mm x (H) 545 mm x (D) 310 mm (W) 11.8 in x (H) 21.5 in x (D) 12.2 in
Weight	15.3 kg (33.7 lbs)
Accessories (optional)	Wall bracket WB10/12 M8 eye bolt HTKCT05 Yoke Transit cover

¹On-axis in open space (4 pi) at 1 m.

²AES Standard ANSI S4.26-1984.

³In open space (4 pi) at 1 m with 2.83 V input and band-limited pink noise.

⁴In open space (4 pi) at 2 m to –6 dB.

Q12 specification

Type	Compact, passive two-way loudspeaker
Frequency response ¹	63 Hz – 17 kHz ± 3 dB, –10 dB @ 48 Hz
Driver (LF)	10" (250 mm) with 2.5" (63 mm) voice coil, ferrite motor system
Driver (HF)	1" (25 mm) exit compression driver with 1.4" (36 mm) voice coil, polyimide dome
Rated power ²	250 W AES, 1000 W peak
Recommended electronics	DX0.4, DX0.6 or DX4.0 system processor and VIA amplifier, or iKON amplifier-processor
Sensitivity ³	95 dB
Maximum SPL ³	119 dB continuous, 125 dB peak, 131 dB peak with crest factor 4
Nominal impedance	8 ohm
Dispersion ⁴	Horizontal: 90° on axis, 110° at 15° below axis Vertical: 50° total (+20° / –30°) User-rotatable Differential Dispersion horn
Crossover	2.7 kHz passive
Enclosure	Symmetrical multi-angle plywood
Finish	Black textured paint
Protective grille	Black perforated steel grille with scrim cloth backing
Connectors	2 x NL4 connectors: input and link
Pin connections (input)	1+/1–
Pin connections (link)	1+/1–: Connected from 1+/1– on input 2+/2–: Connected from 2+/2– on input
Fittings	16 x M8 inserts: 4 on top, 3 on bottom, 4 on left, 4 on right, 1 on rear 6 x M8 inserts on rear for wall bracket 1 x bar handle with recycled ABS pocket Pole-mount socket with removable cover
IP rating	None
Dimensions	(W) 300 mm x (H) 545 mm x (D) 310 mm (W) 11.8 in x (H) 21.5 in x (D) 12.2 in
Weight	15.3 kg (33.7 lbs)
Accessories (optional)	Wall bracket WB10/12 M8 eye bolt HTKCT05 Yoke Transit cover

¹On-axis in open space (4 pi) at 1 m.

²AES Standard ANSI S4.26-1984.

³In open space (4 pi) at 1 m with 2.83 V input and band-limited pink noise.

⁴In open space (4 pi) at 2 m to –6 dB.

Q15 specification

Type	Passive two-way loudspeaker
Frequency response ¹	51 Hz – 17 kHz ± 3 dB, –10 dB @ 41 Hz
Driver (LF)	15" (380 mm) with 4" (100 mm) voice coil, ferrite motor system
Driver (HF)	1.4" (35 mm) exit compression driver with 3" (75 mm) voice coil
Rated power ²	800 W AES, 3200 W peak
Recommended electronics	DX0.4, DX0.6 or DX4.0 system processor and VIA amplifier, or iKON amplifier-processor
Sensitivity ³	98 dB
Maximum SPL ³	127 dB continuous, 133 dB peak, 139 dB peak with crest factor 4
Nominal impedance	8 ohm
Dispersion ⁴	Horizontal: 70° on axis, 90° at 15° below axis Vertical: 50° total (+20° / –30°) User-rotatable Differential Dispersion horn
Crossover	1.5 kHz passive
Enclosure	Symmetrical multi-angle plywood
Finish	Black textured paint
Protective grille	Black perforated steel grille with scrim cloth backing
Connectors	2 x NL4 connectors: input and link
Pin connections (input)	1+/1–
Pin connections (link)	1+/1–: Connected from 1+/1– on input 2+/2–: Connected from 2+/2– on input
Fittings	18 x M8 inserts: 5 on top, 3 on bottom, 4 on left, 4 on right, 2 on rear 6 x M8 inserts on rear for wall bracket 2 x pocket handles made from recycled ABS Pole-mount socket with removable cover
IP rating	None
Dimensions	(W) 420 mm x (H) 695 mm x (D) 400 mm (W) 16.5 in x (H) 27.4 in x (D) 15.8 in
Weight	33.8 kg (74.6 lbs)
Accessories (optional)	Wall bracket WB15 M8 eye bolt HTKCT05 Yoke Transit cover

¹On-axis in open space (4 pi) at 1 m.

²AES Standard ANSI S4.26-1984.

³In open space (4 pi) at 1 m with 2.83 V input and band-limited pink noise.

⁴In open space (4 pi) at 2 m to –6 dB.

Q44 specification

Type	Passive two-way compact column loudspeaker
Frequency response ¹	82 Hz – 17 kHz ± 3 dB, –10 dB @ 63 Hz
Driver (LF)	Four 4" (100 mm) with 1" (25 mm) voice coil, ferrite motor system
Driver (HF)	1" (25 mm) exit compression driver with 1" (25 mm) voice coil, PETP dome
Rated power ²	200 W AES, 800 W peak
Recommended electronics	DX0.4, DX0.6 or DX4.0 system processor and VIA amplifier, or iKON amplifier-processor
Sensitivity ³	90 dB
Maximum SPL ³	113 dB continuous, 119 dB peak, 125 dB peak with crest factor 4
Nominal impedance	8 ohm
Dispersion ⁴	Horizontal: 100° on axis, 120° at 15° below axis Vertical: 40° total (+15° / –25°)
Crossover	2.4 kHz passive
Enclosure	Durable plywood
Finish	Black textured paint
Protective grille	Black perforated steel grille with scrim cloth backing
Connectors	1 x NL4 connector
Pin connections	1+/1–
Fittings	3 x M8 inserts: 1 on top, 1 on left, 1 on right 1 x M6 insert on rear 4 x M6 inserts on rear for wall bracket 1 x pocket handle made from recycled ABS Pole-mount socket with removable cover
IP rating	None
Dimensions	(W) 150 mm x (H) 800 mm x (D) 187 mm (W) 5.9 in x (H) 31.5 in x (D) 7.3 in
Weight	7.5 kg (16.5 lbs)
Accessories (optional)	Wall bracket WB6/8 M8 eye bolt HTKCT05 Yoke Transit cover

¹On-axis in open space (4 pi) at 1 m.

²AES Standard ANSI S4.26-1984.

³In open space (4 pi) at 1 m with 2.83 V input and band-limited pink noise.

⁴In open space (4 pi) at 2 m to –6 dB.

Q26 specification

Type	Passive two-way compact column loudspeaker
Frequency response ¹	69 Hz – 17 kHz ± 3 dB, –10 dB @ 53 Hz
Driver (LF)	Dual 6" (150 mm) with 1.5" (38 mm) voice coil, ferrite motor system
Driver (HF)	1" (25 mm) exit compression driver with 1" (25 mm) voice coil, PETP dome
Rated power ²	300 W AES, 1200 W peak
Recommended electronics	DX0.4, DX0.6 or DX4.0 system processor and VIA amplifier, or iKON amplifier-processor
Sensitivity ³	94 dB
Maximum SPL ³	119 dB continuous, 125 dB peak, 131 dB peak with crest factor 4
Nominal impedance	8 ohm
Dispersion ⁴	Horizontal: 100° on axis, 120° at 15° below axis Vertical: 40° total (+15° / –25°)
Crossover	2.4 kHz passive
Enclosure	Durable plywood
Finish	Black textured paint
Protective grille	Black perforated steel grille with scrim cloth backing
Connectors	1 x NL4 connector
Pin connections	1+/1–
Fittings	3 x M8 inserts: 1 on top, 1 on left, 1 on right 1 x M6 insert on rear 4 x M6 inserts on rear for wall bracket 1 x pocket handle made from recycled ABS Pole-mount socket with removable cover
IP rating	None
Dimensions	(W) 193 mm x (H) 670 mm x (D) 218 mm (W) 7.6 in x (H) 26.4 in x (D) 8.6 in
Weight	9.5 kg (20.9 lbs)
Accessories (optional)	Wall bracket WB6/8 M8 eye bolt HTKCT05 Yoke Transit cover

¹On-axis in open space (4 pi) at 1 m.

²AES Standard ANSI S4.26-1984.

³In open space (4 pi) at 1 m with 2.83 V input and band-limited pink noise.

⁴In open space (4 pi) at 2 m to –6 dB.

Q210 specification

Type	Slimline, dual 10" driver subwoofer
Frequency response ¹	49 Hz – 100 Hz ± 3 dB, –10 dB @ 41 Hz
Driver	10" (250 mm) with 2" (50 mm) long excursion voice coil, ferrite motor system
Rated power ²	200 W AES, 800 W peak
Recommended electronics	DX0.4, DX0.6 or DX4.0 system processor and VIA amplifier, or iKON amplifier-processor
Sensitivity ³	98 dB
Maximum SPL ³	118 dB continuous, 124 dB peak, 130 dB peak with crest factor 4
Nominal impedance	4 ohm
Dispersion ⁴	Omnidirectional
Crossover	Not applicable
Enclosure	Durable plywood
Finish	Black textured paint
Protective grille	Black perforated steel grille with scrim cloth backing
Connectors	3 x NL4 connectors: 2 at bottom rear (input and link A), 1 at top rear (link B)
Pin connections (input)	1+/1–
Pin connections (link A)	1+/1–: Connected from 1+/1– on input 2+/2–: Connected from 2+/2– on input
Pin connections (link B)	1+/1–: Connected from input 2+/2–
Fittings	16 x M8 inserts: 2 on top, 2 on bottom, 4 on left, 4 on right, 4 on rear 2 x bar handles with recycled ABS pockets, 1 at rear top, 1 at rear bottom M20 top-mounted thread plate for pole mounting 4 x skids on base 4 x skids on right side, 4 x recesses on left side: for stacking horizontally
IP rating	None
Dimensions	(W) 296 mm x (H) 718 mm x (D) 462 mm (W) 11.7 in x (H) 28.3 in x (D) 18.2 in
Weight	22.4 kg (49.4 lbs)
Accessories (optional)	M8 eye bolt HTKCT05 Wind-up telescopic pole ASF20071 Transit cover

¹On-axis in open space (4 pi) at 1 m.

²AES Standard ANSI S4.26-1984.

³In open space (4 pi) at 1 m with 2.83 V input and band-limited pink noise.

⁴In open space (4 pi) at 2 m to –6 dB.

Q118 specification

Type	Compact, high-performance 18" subwoofer
Frequency response ¹	38 Hz – 100 Hz ± 3 dB, –10 dB @ 31 Hz
Driver	18" (460 mm) with 4" (100 mm) long excursion voice coil, ferrite motor system
Rated power ²	800 W AES, 3200 W peak
Recommended electronics	DX0.4, DX0.6 or DX4.0 system processor and VIA amplifier, or iKON amplifier-processor
Sensitivity ³	95 dB
Maximum SPL ³	124 dB continuous, 130 dB peak, 136 dB peak with crest factor 4
Nominal impedance	8 ohm
Dispersion ⁴	Omnidirectional
Crossover	Not applicable
Enclosure	Durable plywood
Finish	Black textured paint
Protective grille	Black perforated steel grille with scrim cloth backing
Connectors	3 x NL4 connectors: 2 at bottom rear (input and link A), 1 at top rear (link B)
Pin connections (input)	1+/1–
Pin connections (link A)	1+/1–: Connected from 1+/1– on input 2+/2–: Connected from 2+/2– on input
Pin connections (link B)	1+/1–: Connected from input 2+/2–
Fittings	16 x M10 inserts: 3 on top, 3 on bottom, 3 on left, 3 on right, 4 on rear 16 x M8 inserts on rear for optional castors 2 x bar handles with recycled ABS pockets, 1 on each side M20 top-mounted thread plate for pole mounting 4 x skids on base, 4 x recesses on top: for stacking vertically
IP rating	None
Dimensions	(W) 530 mm x (H) 606 mm x (D) 690 mm (W) 20.9 in x (H) 23.9 in x (D) 27.2 in
Weight	45.5 kg (100.3 lbs)
Accessories (optional)	Set of four castors WHEELKIT M10 eye bolts HTKCT06 Wind-up telescopic pole ASF20071 Transit cover

¹On-axis in open space (4 pi) at 1 m.

²AES Standard ANSI S4.26-1984.

³In open space (4 pi) at 1 m with 2.83 V input and band-limited pink noise.

⁴In open space (4 pi) at 2 m to –6 dB.

Q218 specification

Type	High-performance, dual 18" driver subwoofer
Frequency response ¹	38 Hz – 100 Hz ± 3 dB, –10 dB @ 31 Hz
Driver	2 x 18" (460 mm) with 4" (100 mm) long excursion voice coil, ferrite motor system
Rated power ²	1600 W AES, 6400 W peak
Recommended electronics	DX0.4, DX0.6 or DX4.0 system processor and VIA amplifier, or iKON amplifier-processor
Sensitivity ³	101 dB
Maximum SPL ³	130 dB continuous, 136 dB peak, 142 dB peak with crest factor 4
Nominal impedance	4 ohm
Dispersion ⁴	Omnidirectional
Crossover	Not applicable
Enclosure	Durable plywood
Finish	Black textured paint
Protective grille	Black perforated steel grille with scrim cloth backing
Connectors	3 x NL4 connectors: 2 at bottom rear (input and link A), 1 at top rear (link B)
Pin connections (input)	1+/1–
Pin connections (link A)	1+/1–: Connected from 1+/1– on input 2+/2–: Connected from 2+/2– on input
Pin connections (link B)	1+/1–: Connected from input 2+/2–
Fittings	24 x M10 inserts: 4 on top, 4 on bottom, 6 on left, 6 on right, 4 on rear 16 x M8 inserts on rear for optional castors 4 x bar handles with recycled ABS pockets: 2 on top, 2 on bottom M20 top-mounted thread plate for pole mounting 4 x skids on base: for standing vertically 4 x skids on right side, 4 x recesses on left side: for stacking horizontally
IP rating	None
Dimensions	(W) 536 mm x (H) 1206 mm x (D) 690 mm (W) 21.1 in x (H) 47.5 in x (D) 27.2 in
Weight	82.5 kg (181.9 lbs)
Accessories (optional)	Set of four castors WHEELKIT M10 eye bolts HTKCT06 Wind-up telescopic pole ASF20071 Transit cover

¹On-axis in open space (4 pi) at 1 m.

²AES Standard ANSI S4.26-1984.

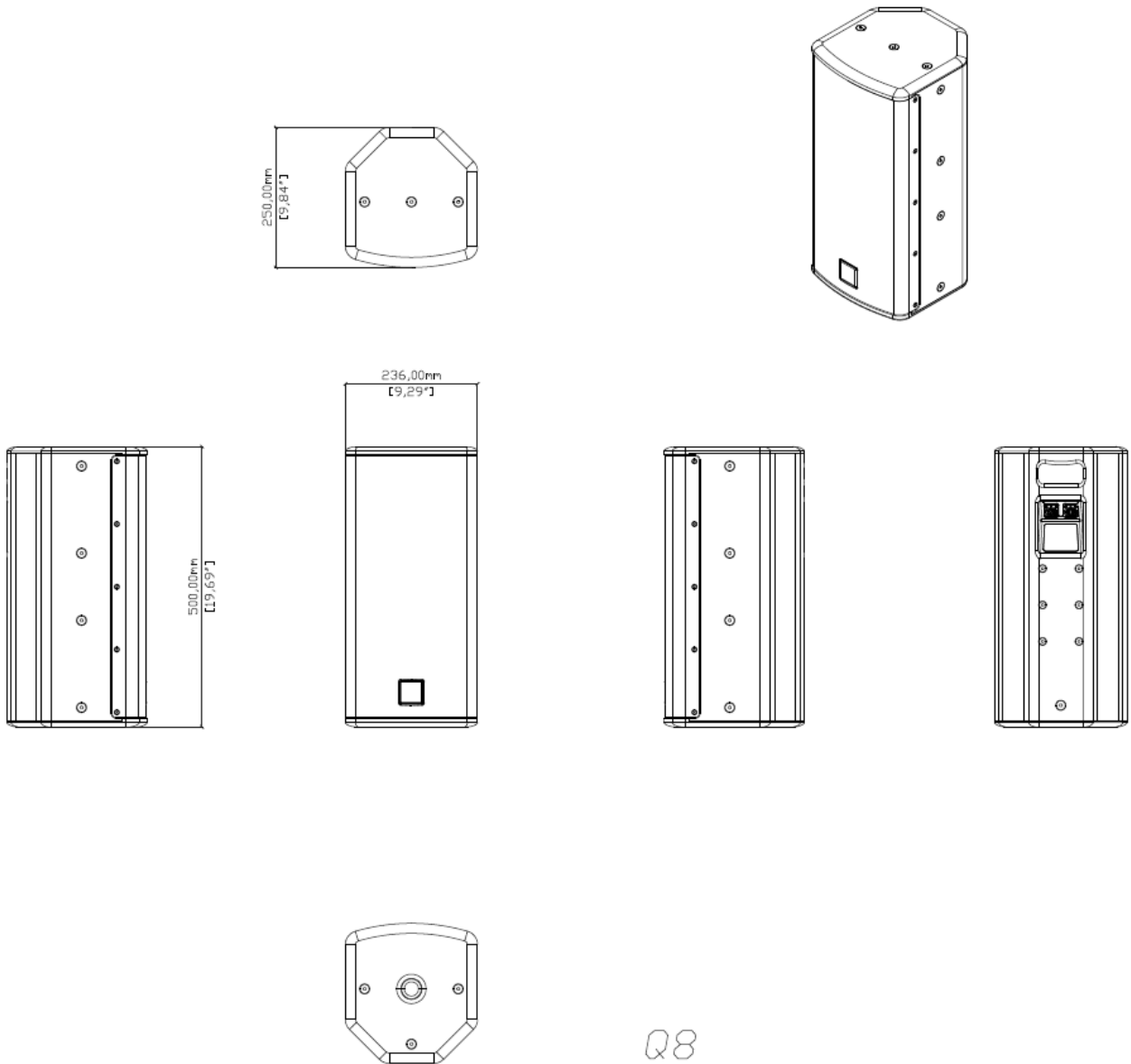
³In open space (4 pi) at 1 m with 2.83 V input and band-limited pink noise.

⁴In open space (4 pi) at 2 m to –6 dB.

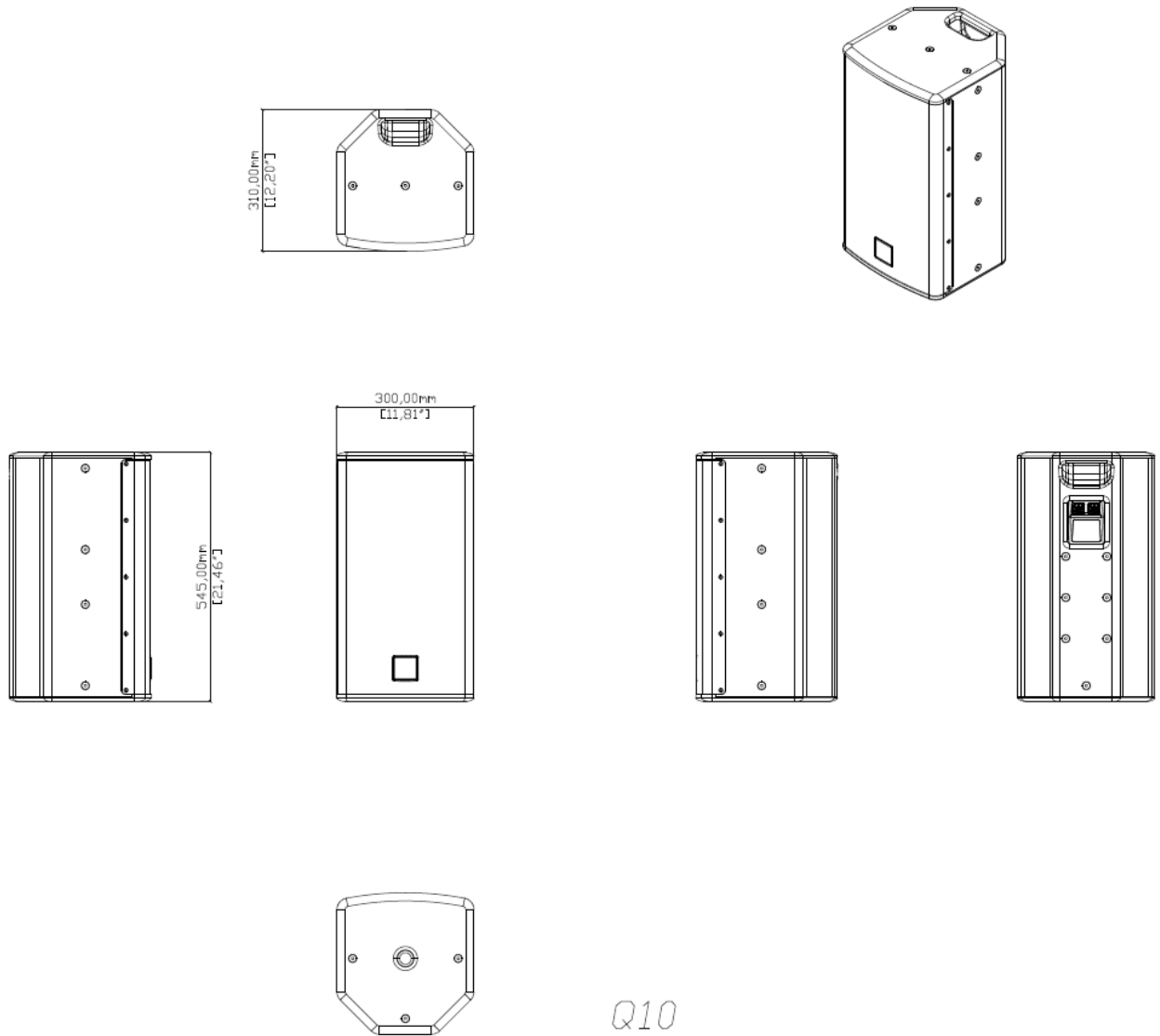
Technical drawings

To download files to use in CAD software, see [DWG files](#) (page 21).

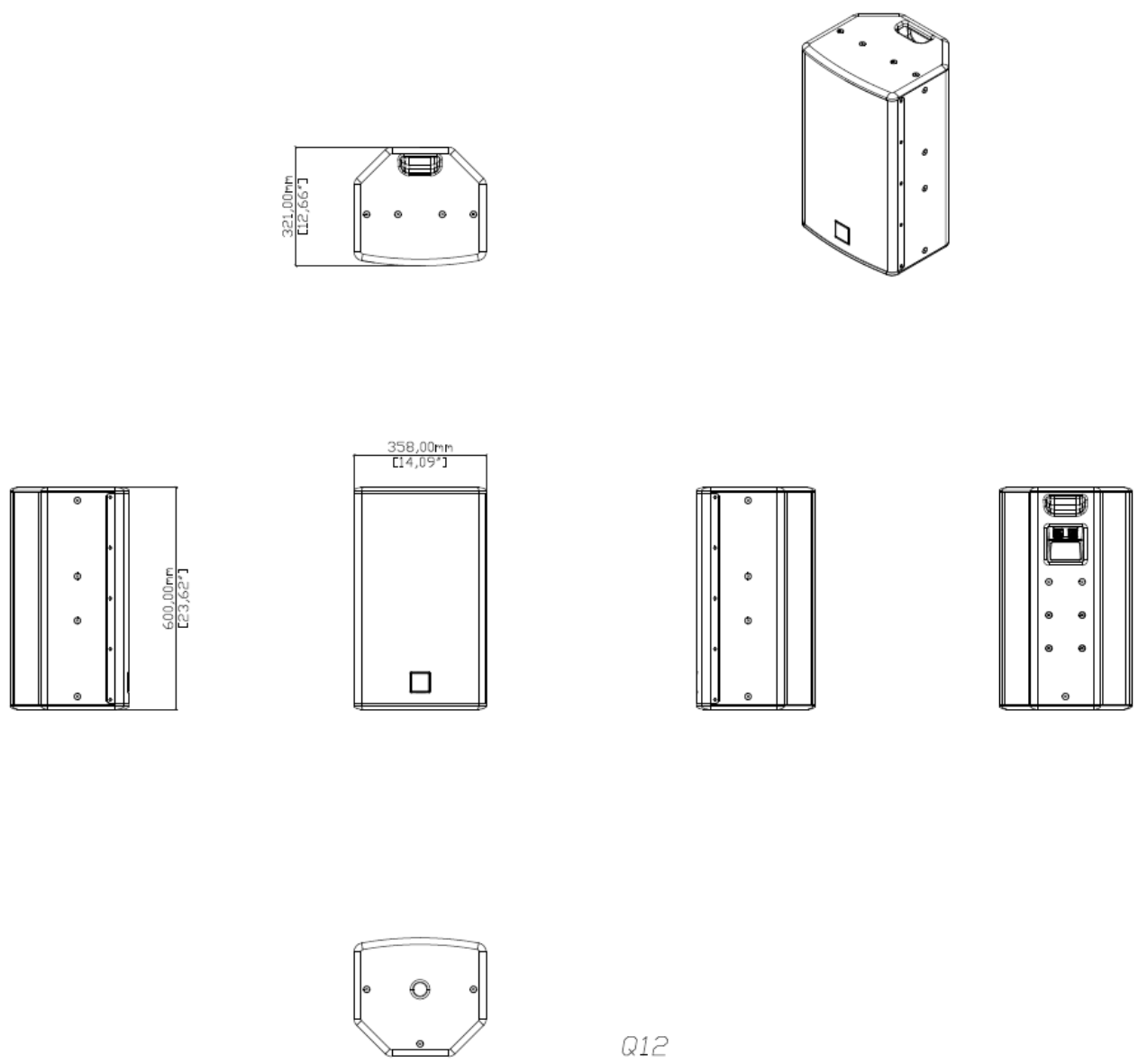
Q8 technical drawing



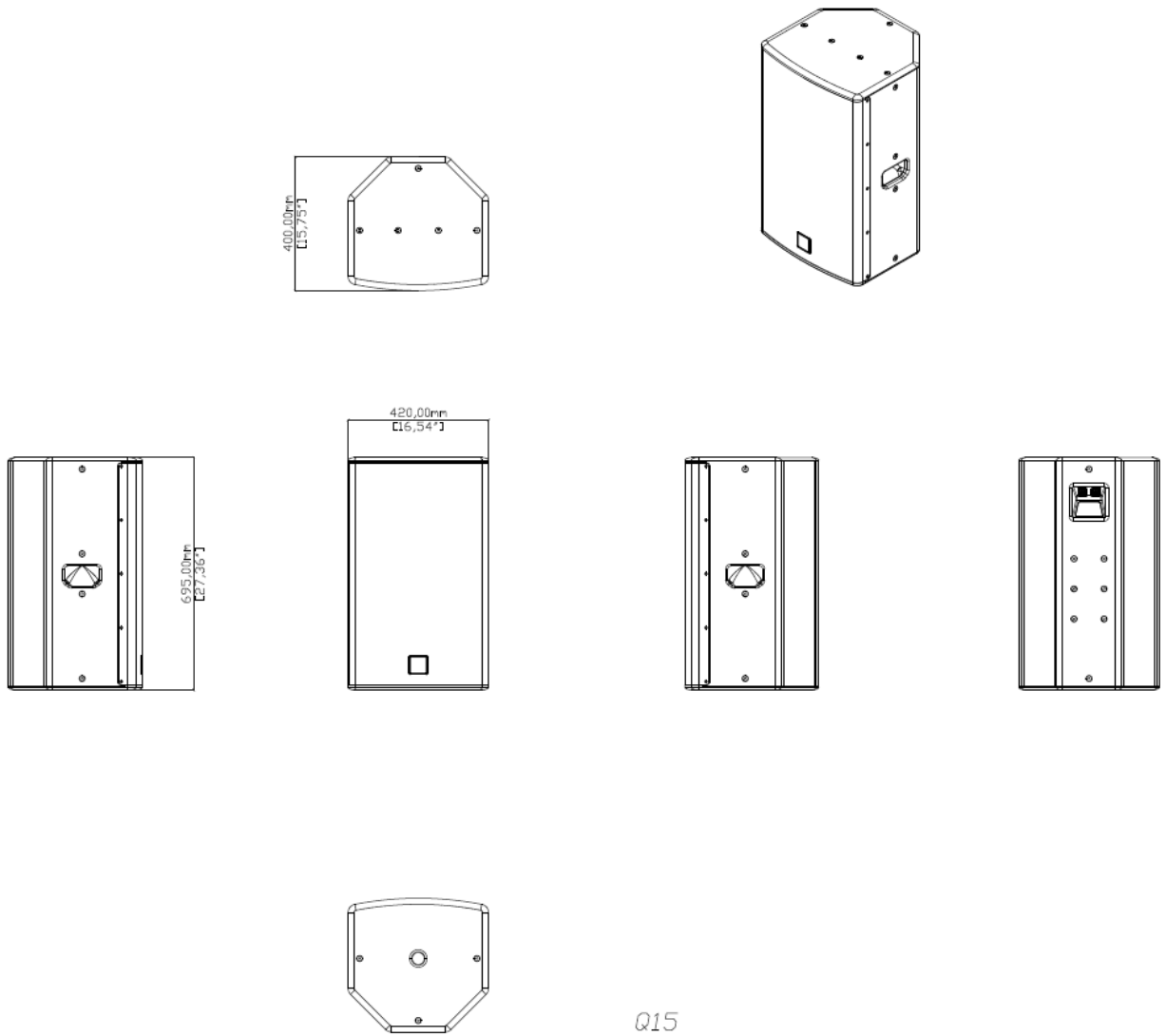
Q10 technical drawing



Q12 technical drawing

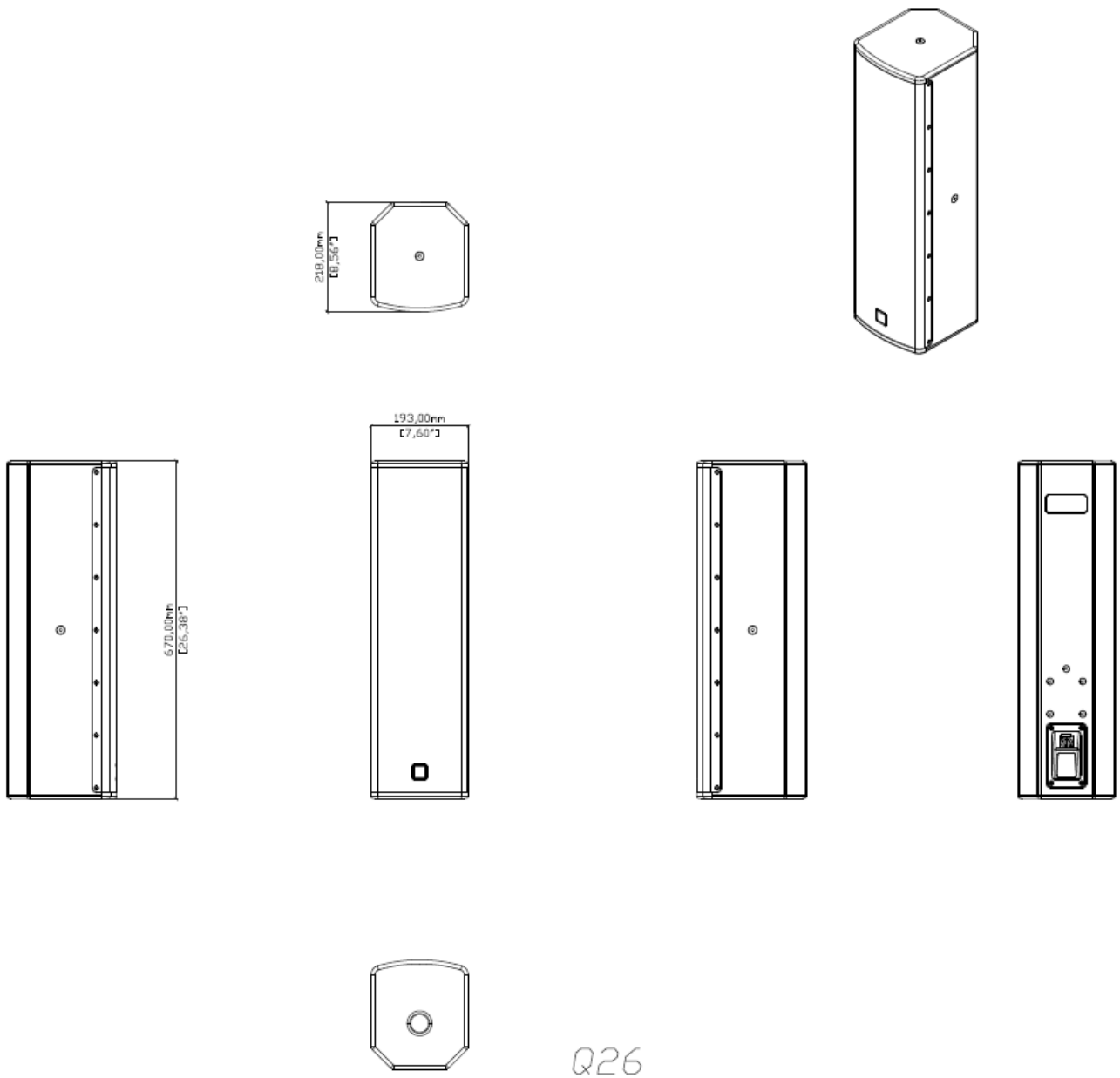


Q15 technical drawing

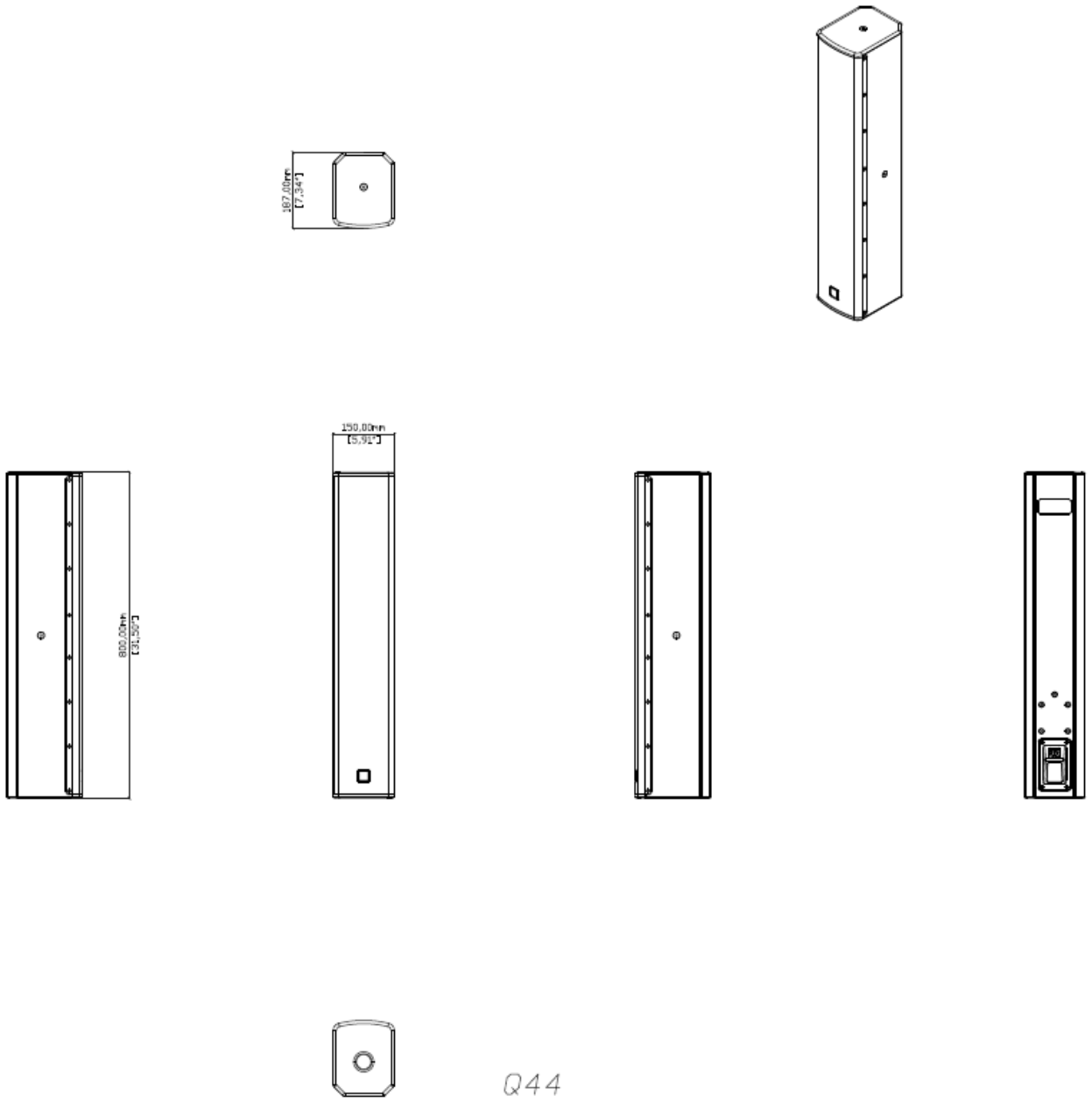


Q15

Q26 technical drawing

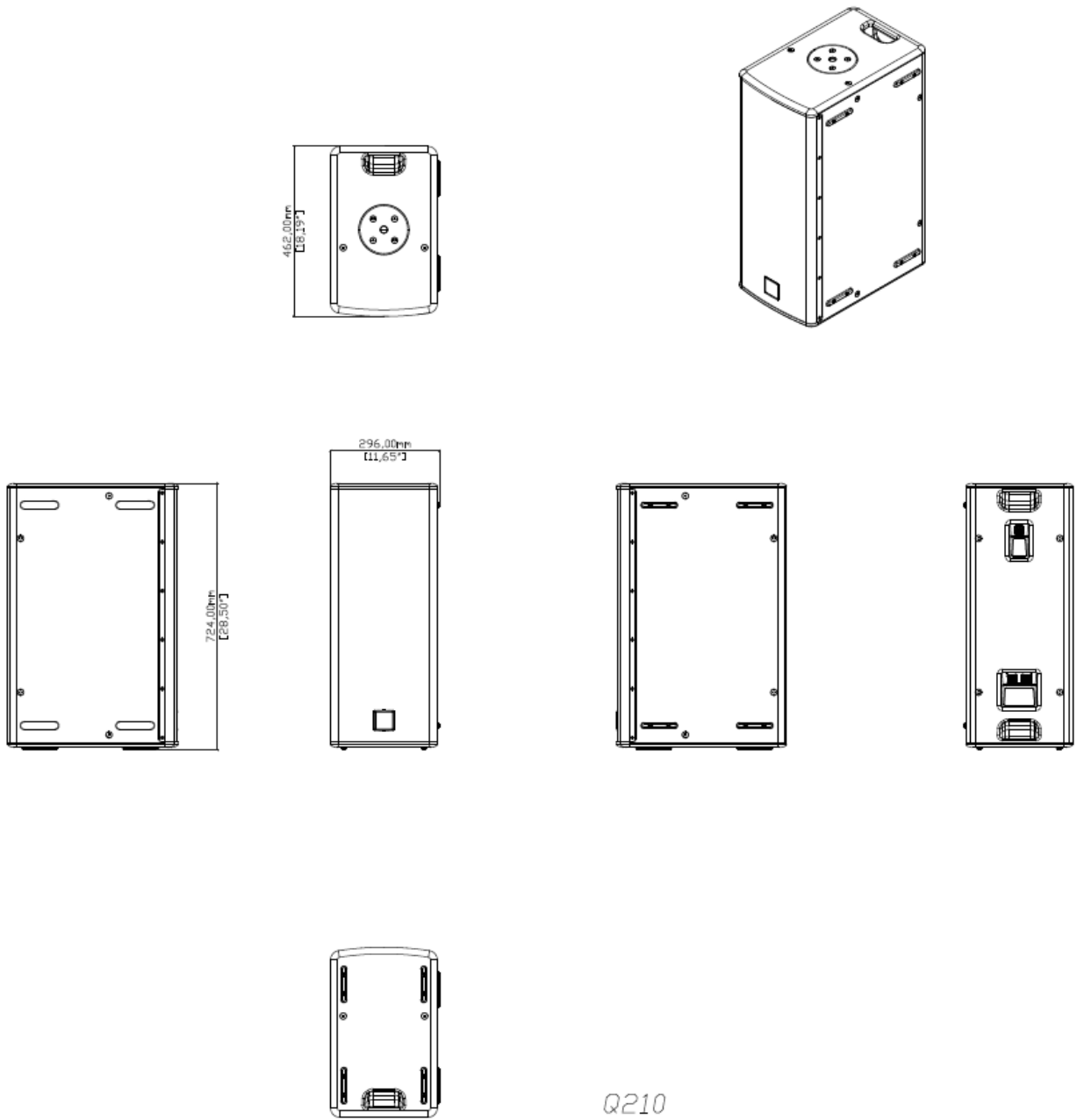


Q44 technical drawing

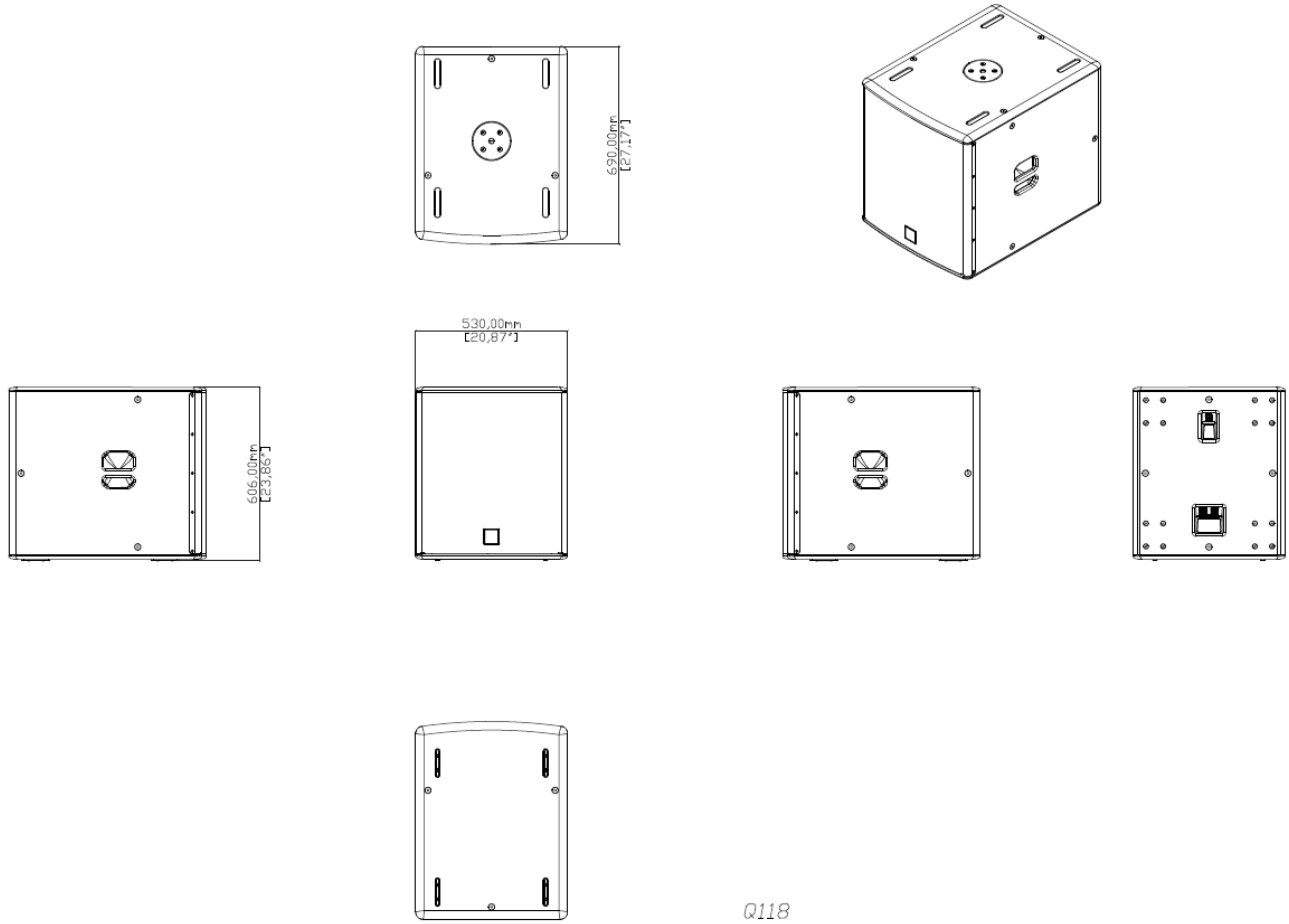


Q44

Q210 technical drawing

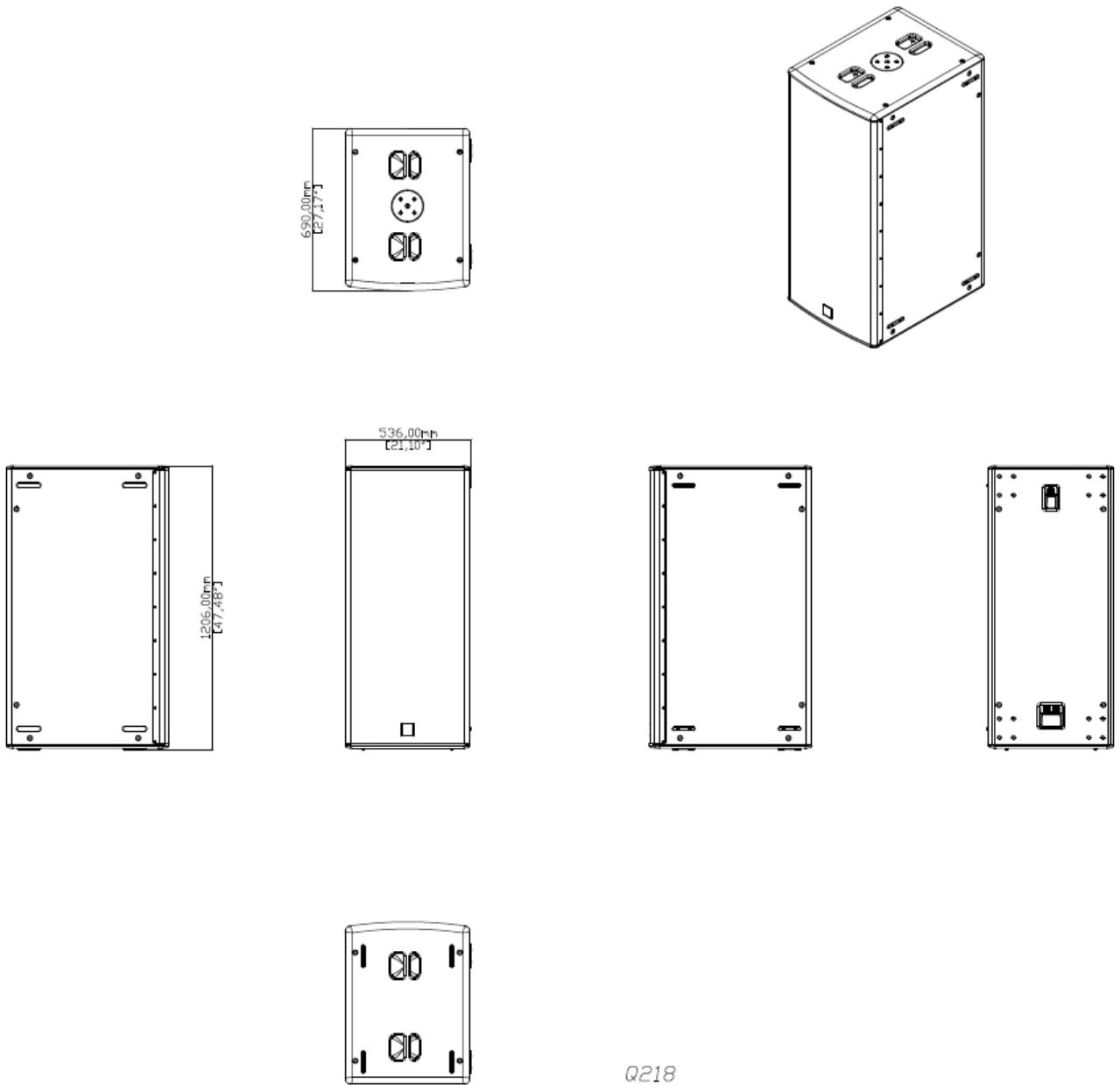


Q118 technical drawing



Q118

Q218 technical drawing



Troubleshooting

- Sound not right. Make sure the input and output connectors are fully plugged into the sockets. Check the sound quality with headphones at the amplifier or preamp.

Technical support

- For technical support, contact your supplier or Martin Audio technical support.
- For Martin Audio technical support, go to our website martin-audio.com and select **Support > Support Contacts**.

Service

- For service information, go to our website martin-audio.com and select **Support > Service & Returns**.

Warranty

- For warranty information, go to our website martin-audio.com and select **Support > Service & Returns**.

Unpacking

After unpacking, carefully check your speakers for any signs of transit damage. If you find any issues, inform your dealer straight away. If possible, keep the packaging for future use.

Recycling

When the product reaches the end of its life, please dispose of it responsibly at a recycling centre.

Martin Audio Limited

Century Point

Halifax Road

Cressex Business Park

High Wycombe

Buckinghamshire

HP12 3SL

England

FOR SALES ENQUIRIES

UK

+44 1494 535 312

info@martin-audio.com

NORTH AMERICA

+1 323 381 5310

www.martin-audio.com

Martin Audio, the Martin Audio logo and Hybrid are registered trademarks of Martin Audio Ltd. in the United Kingdom, United States and other countries; all other Martin Audio trademarks are the property of Martin Audio Ltd.

