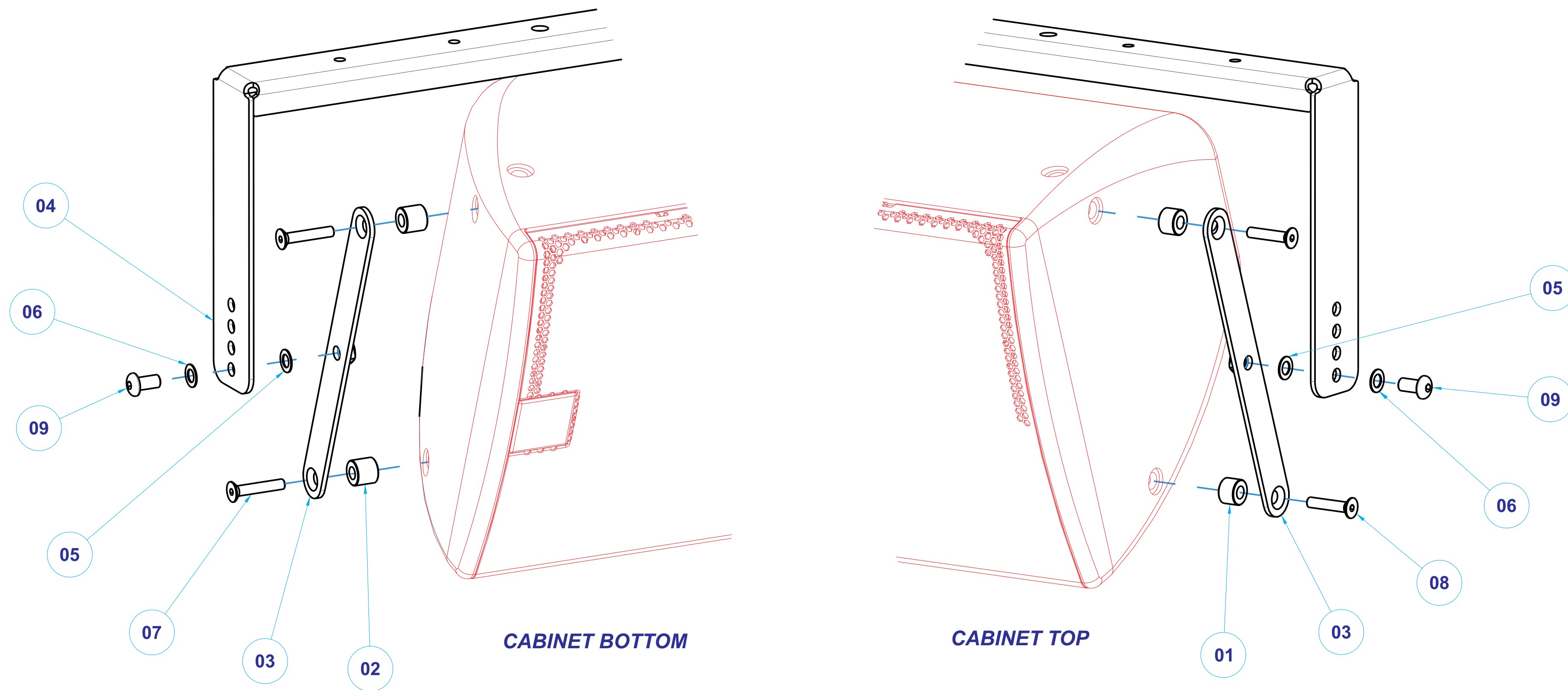


CDDYA12B/W

***** YOKE BRACKETS ARE DESIGNED FOR USE IN LANDSCAPE ORIENTATION ONLY *****



CDDYA12B		
ITEM	DESCRIPTION	QTY
01	CDD YOKE - UPPER BUSH - BLACK	2
02	CDD YOKE - LOWER BUSH - BLACK	2
03	CDD-12 YOKE - SIDE STRAP - BLACK	2
04	CDD-12 YOKE - LOOP - BLACK	1
05	M10 HD SERRATED LOCK WASHER - A2 ST/ST NATURAL	2
06	M10 SHAKEPROOF WASHER - A2 ST/ST NATURAL	2
07	M8 x 45 SOCKET CSK - A2 ST/ST BLACK PX3	2
08	M8 x 40 SOCKET CSK - A2 ST/ST BLACK PX3	2
09	M10 x 20 SOCKET BUTTON - A2 ST/ST BLACK PX3	2

CDDYA12W		
ITEM	DESCRIPTION	QTY
01	CDD YOKE - UPPER BUSH - WHITE	2
02	CDD YOKE - LOWER BUSH - WHITE	2
03	CDD-12 YOKE - SIDE STRAP - WHITE	2
04	CDD-12 YOKE - LOOP - WHITE	1
05	M10 HD SERRATED LOCK WASHER - A2 ST/ST NATURAL	2
06	M10 SHAKEPROOF WASHER - A2 ST/ST NATURAL	2
07	M8 x 45 SOCKET CSK - A2 ST/ST NATURAL	2
08	M8 x 40 SOCKET CSK - A2 ST/ST NATURAL	2
09	M10 x 20 SOCKET BUTTON - A2 ST/ST NATURAL	2

NOTES:

1) The Upper Bush (Item 1) is shorter than the lower bush (Item 2), these **must** be used in the positions shown with the shorter bush on the top of the cabinet and the longer bush of the bottom (sloped) end of the cabinet

2) Ensure that the Heavy Duty Serrated Lock Washer (Item 5) is positioned between the "Loop" (Item 4) and the side straps (Item 3) for correct spacing and to limit slipping

***** CDD LOUDSPEAKER NOT INCLUDED *****