

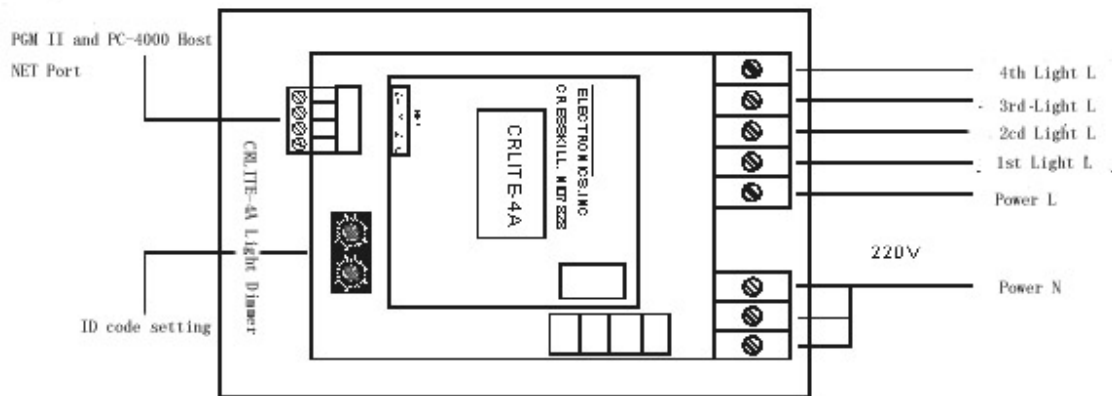
CRLITE-4A II Dimmer

1. Function:

4 routes heavy-current dimmer module is used to adjust the luminance of filament lamp separately or together. Connect the NET port to the control host (ID code is preset, no need to adjust). ID code should be different If connect to more dimmer or other external equipments.

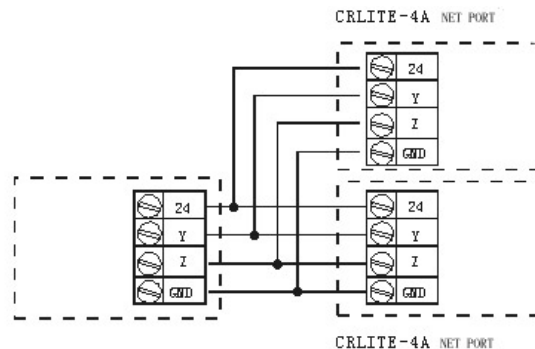
2. Inside Connection:

When connect to CR-PGM II control host, the number of light routes can be programmed. When connect to PC-4000, the default output of light is as follows:



3. Equipment Connection:

When the NET Port is connected to CR-PGM/PC-4000 control host, 24、Y、Z、G pin — end-to-end connection way is required, when connect to more CREATOR CRLITE-4A Dimmer, the connection is as follows:



4. Port Parameters:

- n 4-route adjustable light port
- n Power required: 220V50HZ
- n Load Capacitance : one-way power \leq 1200W
- n 4 routes power \leq 3400W
- n ID option: Circulating ID switch setting
- n Control way: 24V NET power supply
- n Independent network protocol control
- n Single channel or multi channel adjustment
- n Use with CR-PGM, PC-6500/PC-4500/PC-3950 control system
- n Dimension: 260HX150Wx80D (mm)
- n Weight: 2.5kg