

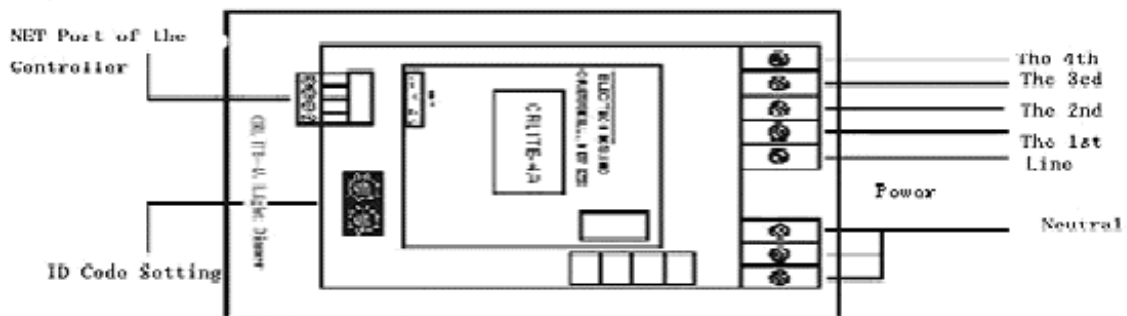
# CRLITE-4A II Dimmer

## 1. Function:

4 routes heavy-current dimmer module is used to adjust the luminance of filament lamp, 4 routes can be controlled separately or together. Connect the NET port to the controller (ID code is default, no need to adjust). ID code should be different If there are more dimmers or other external equipments.

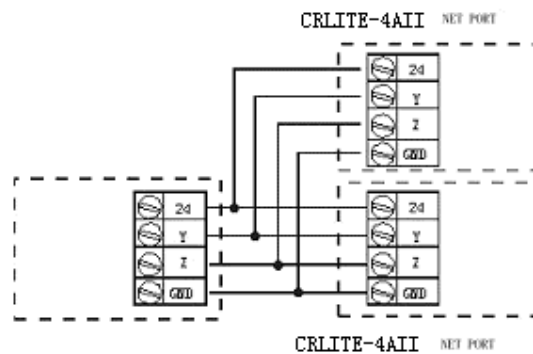
## 2. Inside Connection:

When it is connected to CR-PGM II controller, the number of light routes can be programmed. the default output of light is as follows:



## 3. Equipment Connection:

When the NET Port is connected to CR-PGM II controller, 24,Y,Z,G pin — end-to-end connection way is required, when connect to more CREATOR CRLITE-4A II Dimmers, the connection is as follows:



## 4. Port Parameters:

- |  |   |
|--|---|
| n 4-route adjustable light ports           | n Independent network protocol control                                |
| n Load Capacitance : one-way power ≤ 1200W | n Single channel or multi channel adjustment                          |
| n 4 routes power ≤ 3400W                   | n Working with CR-PGM II/<br>Touch-AV/PC-6500/PC-4500/ control system |
| n ID option: Circulating ID switch setting | n Dimension: 260HX150Wx80D (mm)                                       |
| n Control way: 24V NET power supply        | n Weight: 2.5kg   |

## **5. Power select:**

The CRLITE-4A II Dimmer accepts two power type:110V and 220V.

- n** When the power supply is 110V, there will be 110V between 4 routes and the neutral respectively, and the voltage is adjustable.
- n** When the power supply is 220V, there will be 220V between 4 routes and the neutral respectively, and the voltage is adjustable.